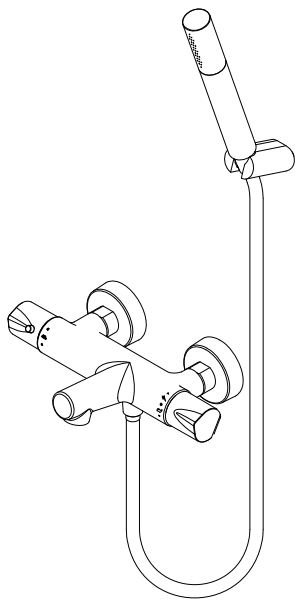


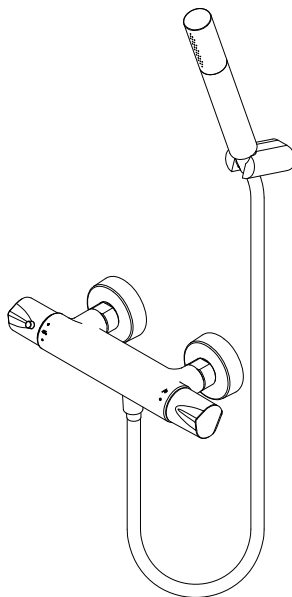
INSTALLATION INSTRUCTIONS

Thermostatic Bath/Shower Mixer Body
溫控龍頭安裝說明

Applicable Product Number:
適用產品型號:



6926-T4-85CP
6926-T4-81CP



6926-T3-85CP
6926-T3-81CP

CARE & CLEANING

清潔與保養

CAUTION : This product might be damaged by improper installation, acid cleaning solution, misuse, improper care and cleaning.

1. Always follow the provided INSTALLATION INSTRUCTIONS and use extreme care while installing.
2. Do not use acid cleaning solution or abrasive cleaner (Ex: Hydrochloric acid or toothpaste); test your cleaning solution on an inconspicuous area before applying to the entire surface.
3. Wipe surfaces clean and rinse completely with water immediately after applying cleaner. Do not soak with cleaners. Rinse and dry any overspray that lands on nearby surfaces.
4. Use a dampened sponge or cloth to clean surface. (Do not use abrasive material such as brush or scouring pad.)

注意：此產品有可能因為不當安裝，誤用酸性清潔劑或清潔方式不正確而造成產品受損。

1. 產品安裝時必須依照產品所附的安裝說明和操作方式安裝。
2. 不可使用含有酸性或具研磨效果的清潔劑清洗（例如：鹽酸、牙膏），請先在產品較不顯眼的地方測試您的清潔方法，然後再應用到整個表面。
3. 產品塗佈清潔劑後，應立即擦拭除污，用清水沖洗，並擦乾產品和檯面。切勿讓清潔劑在產品表面浸濕潤漬過久。
4. 請使用濕海綿或乾淨棉布擦拭產品表面。（不可使用會刮傷或具研磨材質的刷子及鋼刷）。

FIXING CONTENTS

組配件內容

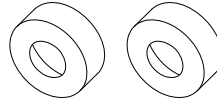
A. Mixer Body X 1

龍頭本體



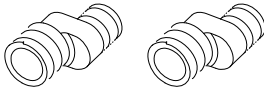
B. Flange X 2

法蘭蓋



C. Adaptor X 2

轉換接頭



D. Filter Gasket X 2

墊片



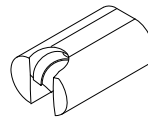
E. Shower Hose & Gaskets X 1

蛇管(含墊片)



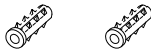
F. Wall Bracket X 1

掛座



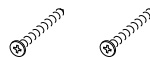
G. Plastic Anchor X 2

塑膠塞



H. Wall Screw X 2

螺絲



FIXING CONTENTS

組配件內容

I. Hex. Key X 1

六角扳手



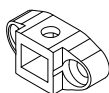
J. Set Screw X 1

固定螺絲



K. Wall Plate X 1

固定座



L. Hand Shower X 1

手持花灑



INSTALLATION NOTE

安裝注意事項

⚠ CAUTION : Please read the following points carefully before installation.

1. The available distance between two centers of wall water-outlet can be 117mm ~ 173mm.
2. The faucet will be available at the water pressure from 0.5 to 6 kg/cm².
3. Please install hot and cold water supply pipe properly.
4. Maximum temperature of hot water supply is 75°C.

⚠ CAUTION : Risk of product damage.

When finished installation, turn the valve on and run water for 1 minute to remove any debris before using.

⚠ 注意：安裝前，請詳閱下列注意事項。

1. 確認牆壁上的出水口中心距為117~173mm如圖所示。
2. 適用水壓0.5~6(kg/cm²)。
3. 冷熱水管勿相反安裝
4. 熱水供水溫度勿超過75°C

⚠ 注意：為增加產品使用壽命，請依說明清潔供水管路。

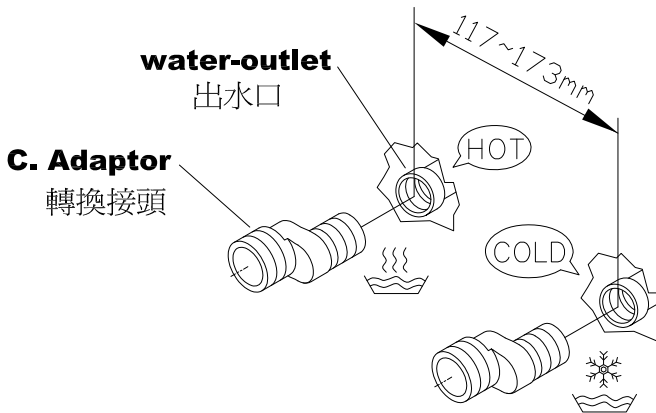
1. 安裝前，需先把供水管路全開排水持續一分鐘，去除雜質，以保持管路清潔。

INSTALLATION INSTRUCTIONS

安裝說明

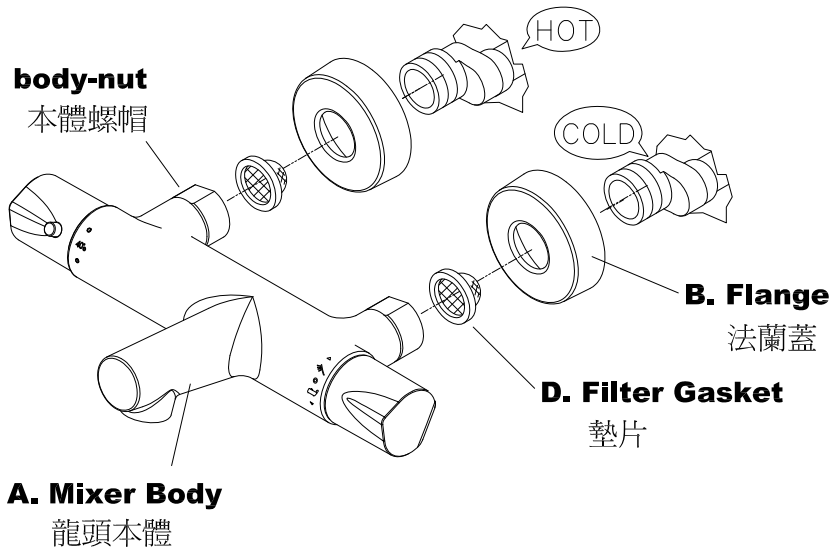
1. Install the Mixer Bod

安裝龍頭本體



* Apply pipe compound or thread sealant tape to the thread of **Adaptor** 1/2" end, and screw it into wall water-outlet, meanwhile, adjust the distance between two **Adaptor** 3/4" ends to 145mm for **Mixer Body** connection.

將轉換接頭1/2"牙塗上管牙膠或包覆止洩帶，再鎖入牆壁出水口，調整轉換接頭並且確定3/4"那邊的中心距為145mm以便安裝龍頭本體。



⚠ **Install HOT & COLD water supply as shown**

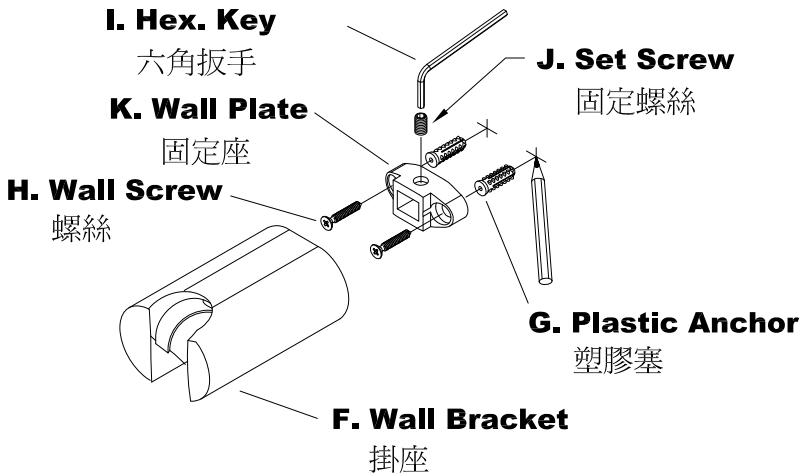
⚠ 冷熱水管勿相反安裝。

* Cover **Flange** onto both 3/4" ends of **Adaptor**. Insert **Filter Gasket** into each **body-nut**, then screw the **body-nut** onto **Adaptor** 3/4" end and tighten nuts to fix the **Mixer Body**.

將二個法蘭蓋各別裝上轉換接頭的3/4"那邊。將二個墊片個別裝入本體螺帽，然後將本體螺帽鎖上轉換接頭3/4"那端並且鎖緊。

2. Install the Wall Bracket

安裝花灑掛座

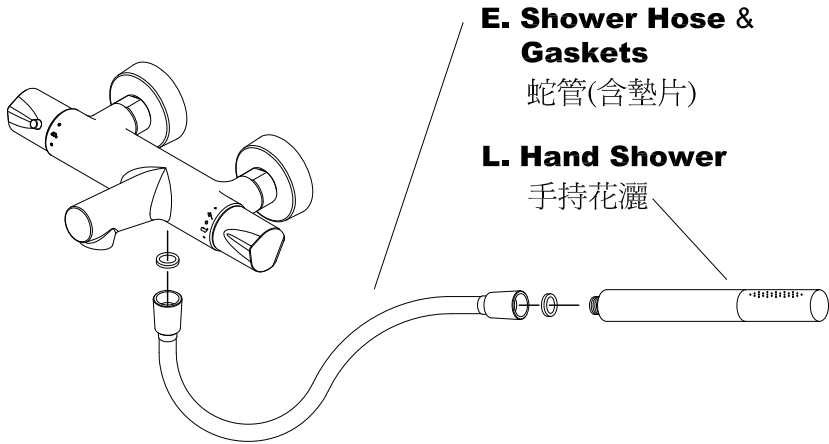


* Using **Wall Plate** as a template, and then mark and drill at proper position before install **Wall Plate** on the wall. Insert the click-join of **Adjustable Shower Holder** into the square hole of **Bracket**, and then tighten **Set Screw** to fix the **Adjustable Shower Holder** .

決定花灑掛架欲安裝位置後，利用背板固定片上兩孔用畫兩個基準點，再使用6mm鑽頭於牆上記號鑽孔。將掛架背板固定於牆上之後，取可調整式掛架套進基座上的方型孔洞後，再鎖緊上方的固定螺絲以固定本體和基座。

3. Install Hand Shower

安裝手持花灑



E. Shower Hose & Gaskets

蛇管(含墊片)

L. Hand Shower

手持花灑

* Connect **Hand Shower & Mixer Body** with **Shower Hose & Gaskets**.

使用蛇管與墊片連接手持花灑與龍頭本體。

ENSURE WATER TEMPERATURE

(Necessary before first use)

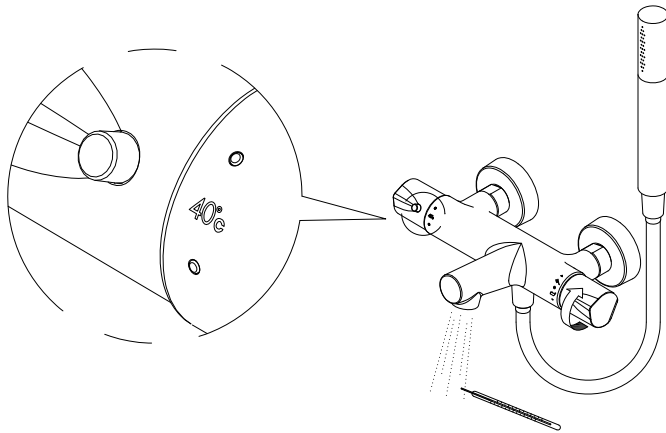
確認出水溫度 (首次使用前務必執行)

1 ⚠ For different conditions (water pressure, hot water temperature), please do adjust water temperature before first use.

⚠ Regulate the temperature of hot water supply to be higher than expectation, and please notice the maximum temperature of hot water supply is 75°C.

⚠ 因使用條件(冷・熱水水壓、熱水供水溫度)不同，請於首次使用前務必校準恆溫龍頭出水溫度。

⚠ 將熱水供應溫度調整到比期望出水溫度高。為維護龍頭壽命與安全性，請注意!! 熱水器供水溫度勿超過75°C。



1.1 Point the Safety Button to the 40°C marked position, and divert the water flow way to spout or Hand Shower

1.2 Use thermometer to check if the temperature is between 40±2°C.

1.1 將把手上安全鈕對準40°C記號點後，切換出水位置至出水口或手持花灑。

1.2 使用溫度計確認出水溫度是否界在40±2°C之間。

2 ⚠ CAUTION: If water temperature is not between $40\pm 2^{\circ}\text{C}$, please follow the below steps to adjust it.

2.1 Rotate the Handle to the position with $40\pm 2^{\circ}\text{C}$ water temperature.

※ Push the button to reach the $40\pm 2^{\circ}\text{C}$ if necessary.

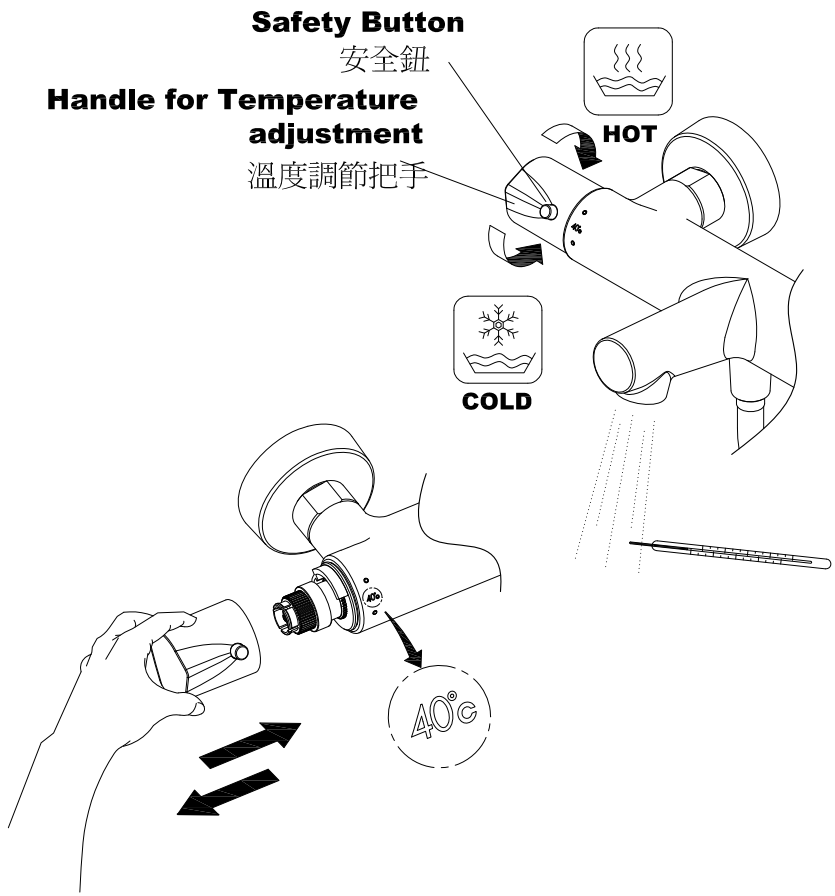
2.2 Hold the position of suitable temperature and pull out the Handle as the fig. shown; align the Safety Button with 40°C marked position, and then pull the Handle in to fix as the fig. shown.

⚠ 注意：出水口溫度若不符合適溫 $40^{\circ}\text{C}\pm 2^{\circ}\text{C}$ ，請依下列調整步驟進行微調。

2.1 將溫度調節把手旋轉至流出適溫熱水（ 40°C ）的位置。

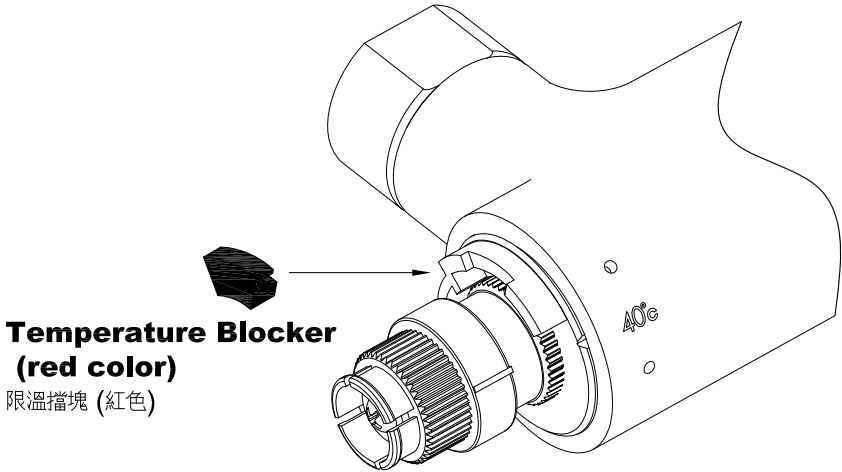
※ 因調溫把手上於 " 40°C " 附近設有安全鈕若需流出高於此溫度水，請按住安全鈕並旋轉。

2.2 依圖示方向拉出溫度調節把手後，重新校對溫度調節把手上的安全鈕與 " 40°C " 記號點，使其對齊後，再將把手壓入固定。



3. Limit the highest water temperature

出水最高溫度限制



**Temperature Blocker
(red color)**

限溫擋塊 (紅色)

3.1 There is a Temperature Blocker (red color) limits the highest temperature with 44°C ~46°C for avoiding the accidental scald. And the Temperature Blocker (red color) could be removed for getting the higher water temperature if necessary.

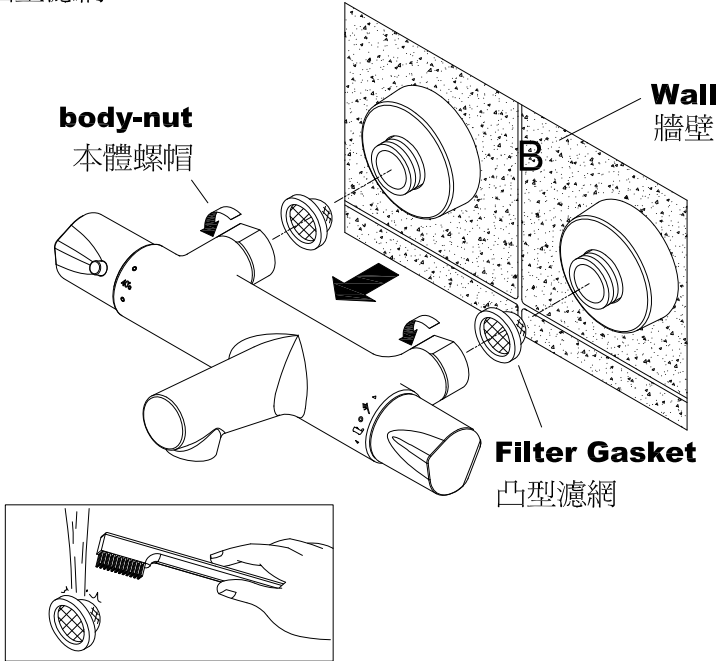
3.1 溫控端設有限溫紅色擋塊(A)，限制出水最高溫(44°C~46°C)，避免孩童誤轉時遭熱水燙傷，如果需要更高溫的熱水，只須將紅色擋塊卸除即可。

CARE AND MAINTENANCE

維護與清潔

1. Clean Filter Gasket

清潔凸型濾網



1.1 Loosen and unscrew the **body-nut** to remove the Mixer Body and the **Filter Gasket**.

1.2 Use the soft brush to clean the **Filter Gasket**; please replace the Filter Gasket if it is broken.

⚠ The mixer has been used with S type Adaptor Check Valves which could stop the water as you remove the Mixer Body.

1.1 將本體螺帽鬆退後取下龍頭本體並取出過濾墊片。

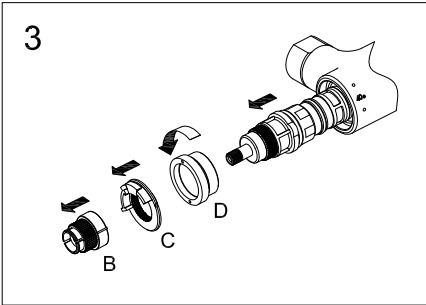
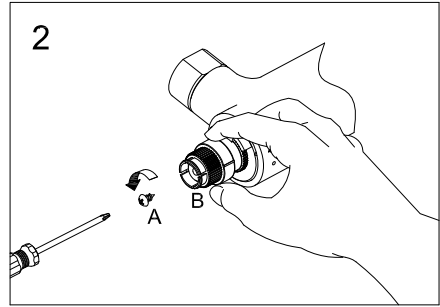
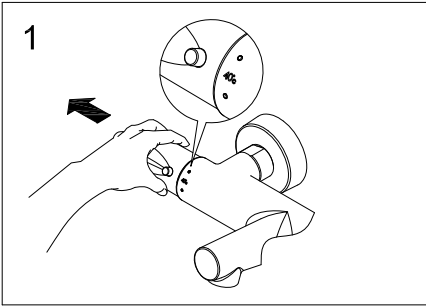
1.2 使用軟刷沖洗刷除雜質、水垢，如濾網已破損請更換。

⚠ 本產品使用接牆S型水流逆止接頭，鬆退本體螺帽取下凸型濾網時，S型接頭可自動止水，沒有冷熱水噴流之慮。

2. Clean Thermostatic Cartridge

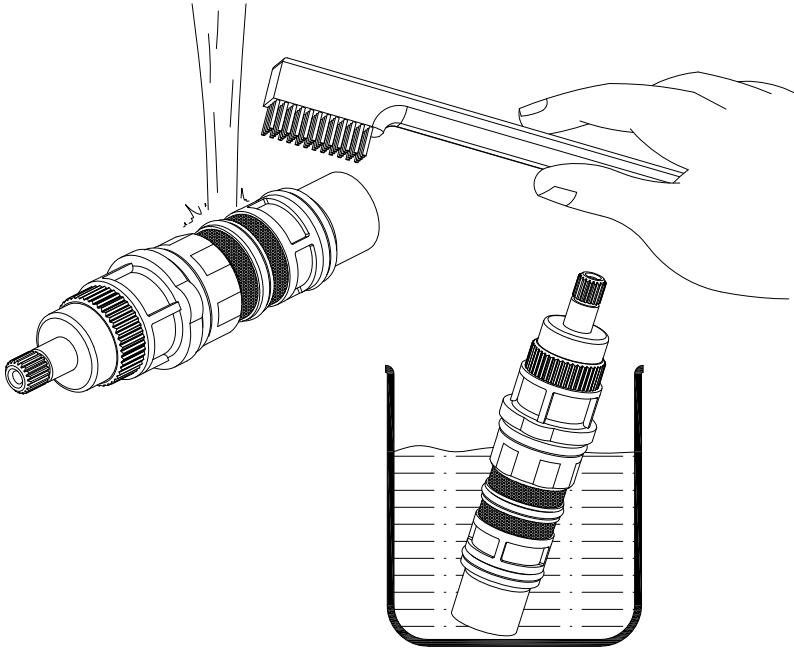
溫控閥清洗

- ⚠ The cartridge needs to be cleaned by the following steps as water flow reduces because the hard water supply or the limescale and dirt obstruct after long term using.
 - ⚠ The water supply system needs to be shut off before disassembling the cartridge, and make sure the Safety Button points to the 40°C marked position.
 - ⚠ The thermostatic cartridge is a sensitive part, needs to be treated carefully, and could NOT be rotated as disassembling.
- ⚠ 如供水水質較硬或長時間使用，水垢或雜質會阻塞濾網，導致流量降低時則需按下列步驟清潔。
- ⚠ 拆卸前必需關閉供水系統，並確保調溫把手上的安全扭與40°C刻度對齊。
- ⚠ 溫控閥是較敏感的配件，拆卸時需特別小心，於拆卸時不可任意轉動溫控閥芯。



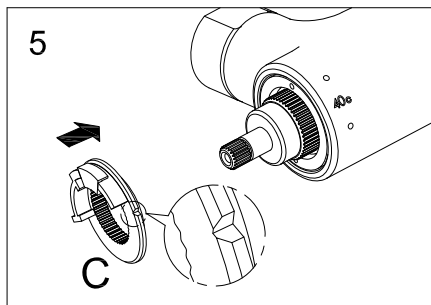
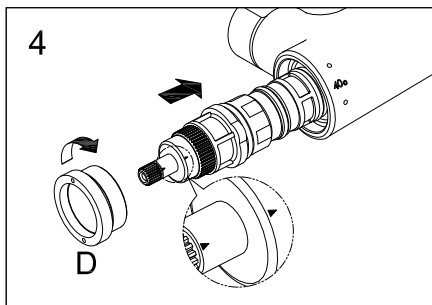
- 1.1 Pull out to remove the Handle.
- 1.2 Hold the white connector (B) and loosen the screw (A) to avoid damaging the cartridge as disassembling.
- 1.3 Remove the connector (B) and position ring (C), loosen the retaining ring (D) with retaining ring pliers, and then pull out the cartridge. (Notice: Do NOT rotate the cartridge.)

- 1.1 徒手將溫度調節把手拔下。
- 1.2 抓緊溫控閥芯上的白色加長接頭(B)後將螺絲(A)鬆退取出，避免鬆退時轉動幅度過大傷害閥心。
- 1.3 取下加長接頭(B)、拔出限位套(C)、使用兩孔螺帽專用鉗將固定螺帽(D)鬆退後，小心拉出溫控閥芯。(注意:不要任意轉動溫控閥芯。)



* Soak the thermostatic cartridge into the vinegar for 0.5 to 1 hour, and then use the soft brush to clean the mesh of thermostatic cartridge. (Notice: Do NOT brush too hard to damage the mesh or stuff the dirt into the mesh.)

將溫控閥芯浸泡於市售的食用醋約30分~1小時，待水垢軟化後，使用軟刷輕輕清潔溫控閥芯上的濾網，（注意！不可用力刷洗導致濾網變形或細微雜質塞入濾網內部。）

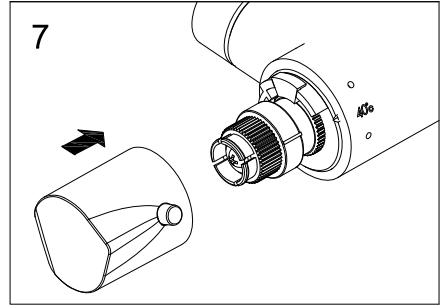
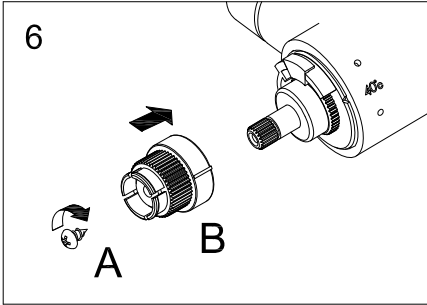


1.4 After cleaning, put thermostatic cartridge into the Mixer Body and align the triangle of white and black sides, and then using the retaining ring pliers to tighten the retaining nut for fixing cartridge.

1.5 Point the indentation of position ring (C) to the 40°C marked position, and then slide the position ring (C) into the Mixer Body.

1.4 清洗完畢後，依序將溫控閥芯放入本體，同時將溫控閥芯上白色端的三角形與黑色端的三角形對齊，再使用兩孔鉗將固定螺帽(D)鎖緊，固定閥芯。

1.5 將限位套(C)邊緣的缺口記號對準40°C的位置，套進溫控閥芯。



1.6 Point the straight line of connector (B) to the 40°C marked position, and then slide connector (B) into the cartridge, and then hold the connector (B) to tighten the screw (A).

⚠ If the cartridge has been rotated as tightening the screw, the straight line of connector (B) should be rotated to point the 40°C marked position. BUT the rotary range could NOT be too big to damage the cartridge.

1.7 Point the Safety Button to 40°C marked position and then push-in to fix the handle.

1.6 將加長接頭(B)上的直線記號對準40°C的位置，套進溫控閥芯，拿穩接長接頭(B)後鎖上螺絲(A)逼緊。

⚠ 鎖緊螺絲(A)的過程中如果轉動到閥芯，只需在鎖完後再將溝痕對準40°C的位置即可，但轉動幅度切勿過大，以免傷害閥芯。

1.7 最後將把手按鈕對準40°C的位置後壓入固定即可。

WARRANTY

Sheng Tai Co., Ltd. offer a three-year warranty on all of the Faucets & Bathroom Accessories from date of purchasing. The warranty covers any defect in material and workmanship during normal residential use. The following conditions of defect are charged for maintaining.

- Damage caused by accident, misuse, improper care and cleaning.
- Improper using or installation.
- Defects because of the external factors, such as erodent environment (ex. Seashore or mineral spring.), animal bites or dead body remains in product etc.
- Defect because of sand or impurity stuck in faucet water way.
- Using water not adhered to the regulations of national standard.
- Deficiency caused by freeze.
- Not showing this warranty card.
- Not filling out in the blank of name of customer, date of purchase, cost of purchase, company of installation (retail store) and stamp on warranty card.
- Sheng Tai Co., Ltd. is not responsible for labor charges, installation, or other incidental or consequential costs.

勝泰衛材股份有限公司提供所有的水龍頭及浴室配件，從購買之日起三年保固。保固範圍包括在一般住宅正常使用的期間，發現產品有任何材質和加工上的瑕疵。如瑕疵有下列情形，將收取維修費用。

- 因意外事故、不當操作使用，不當的保養維護和清洗所造成的損害。
- 不當使用或安裝。
- 外在因素造成產品的瑕疵，如易造成侵蝕的環境（如濱海或溫泉地區）、動物嚙咬或屍體存在於產品內造成的損壞。
- 因砂子或雜質卡住水龍頭水路造成的損壞。
- 沒有依循國家標準的規定使用水源造成的損壞。
- 因冰凍造成的水量不足。
- 未出示此保固卡。
- 未在空白處填寫客戶名稱，購買日期，購買成本，安裝公司（零售商店），及保證卡上未蓋章。
- 勝泰衛材股份有限公司不負責工人費用，安裝，或其他附帶或間接產生的費用。

Customer	Name		Tel	
	Address			
Product	Serial No.		Name	
	Warranty	Three year from date of purchase.		
Purchase place	Store		Tel	
	Address			
Purchase Date				
Purchase Price				

JUSTIME
www.justime.com

SHENG TAI BRASSWARE CO., LTD.

No.99 Sec.3 Chang Tsao Rd. Ho Me, Chang Hua, Taiwan

508 台灣彰化縣和美鎮彰草路3段99號

TEL: +886-4-7629971~4

FAX: +886-4-7526980

E-mail: shengtai@ms10.hinet.net

Facebook: www.facebook.com/JUSTIME