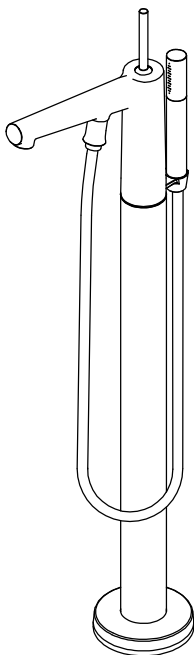


## INSTALLATION INSTRUCTIONS

Floor-Mounted Bath Mixer  
立式浴缸龍頭安裝說明

**Applicable Product Number:**  
適用產品型號:



6926-U1-80CP

# CARE & CLEANING

## 清潔與保養

**CAUTION : This product might be damaged by improper installation, acid cleaning solution, misuse, improper care and cleaning.**

1. Always follow the provided INSTALLATION INSTRUCTIONS and use extreme care while installing.
2. Do not use acid cleaning solution or abrasive cleaner (Ex: Hydrochloric acid or toothpaste); test your cleaning solution on an inconspicuous area before applying to the entire surface.
3. Wipe surfaces clean and rinse completely with water immediately after applying cleaner. Do not soak with cleaners. Rinse and dry any overspray that lands on nearby surfaces.
4. Use a dampened sponge or cloth to clean surface. (Do not use abrasive material such as brush or scouring pad. )

注意：此產品有可能因為不當安裝，誤用酸性清潔劑或清潔方式不正確而造成產品受損。

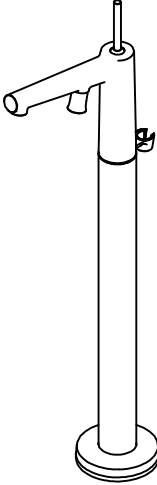
1. 產品安裝時必須依照產品所附的安裝說明和操作方式安裝。
2. 不可使用含有酸性或具研磨效果的清潔劑清洗（例如：鹽酸、牙膏），請先在產品較不顯眼的地方測試您的清潔方法，然後再應用到整個表面。
3. 產品塗佈清潔劑後，應立即擦拭除污，用清水沖洗，並擦乾產品和檯面。切勿讓清潔劑在產品表面浸濕潤漬過久。
4. 請使用濕海綿或乾淨棉布擦拭產品表面。（不可使用會刮傷或具研磨材質的刷子及鋼刷）。

# FIXING CONTENTS

## 組配件內容

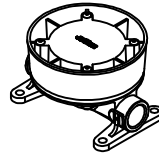
### A. Mixer Body X 1

龍頭本體



### B. Shoe Elbow Stand (With Plastic Guard) x 1

固定座(含保護蓋)



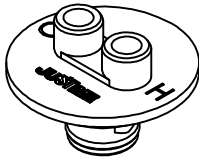
### C. Stainless Steel Anchor X 4

膨脹螺絲



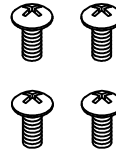
### D. Diverting Connector X 1

分水接頭



### E. Fixing Screw X 4

固定螺絲



### F. Hand Shower X 1

手持花灑



### G. Shower Hose X 1

蛇管(含墊片)

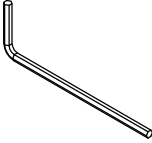


# FIXING CONTENTS

## 組配件內容

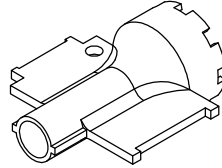
### I. Hex. Key X 1

六角扳手(2.5mm)



### I. Key for Aerator X 1

起泡頭組裝器



# INSTALLATION NOTE

## 安裝注意事項

**⚠ CAUTION : Please read the following points carefully before installation.**

1. Please install hot and cold water supply pipes properly.

**⚠ CAUTION : Prevent the risk of product damage.**

1. Before installation, turn the valve on and run water for 1 minute to remove any debris before using.
2. Remove the aerator and fully turn on the faucet and run for 1 minute after finish installation, then turn off the water and reinstall the aerator.

**⚠ 注意：安裝前，請詳閱下列注意事項。**

1. 冷熱水管勿相反安裝。

**⚠ 注意：為增加產品使用壽命，請依說明清潔供水管路。**

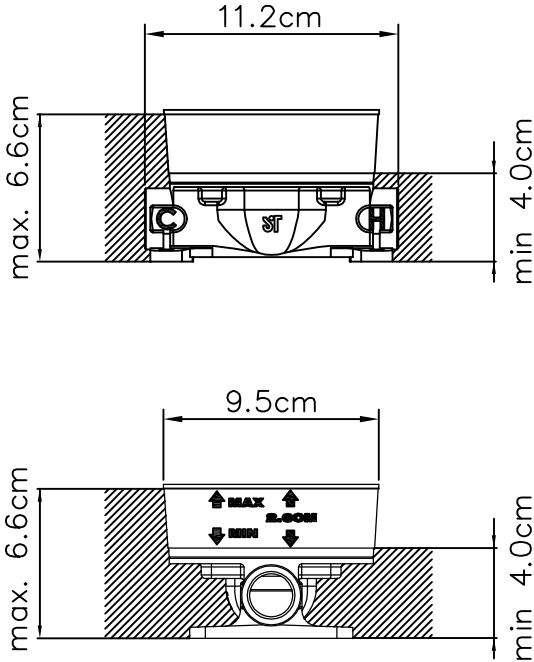
1. 安裝前，需先把供水管路全開排水持續一分鐘，去除雜質，以保持管路清潔。
2. 完成安裝之後，把起泡器移開，把水全部轉開持續一分鐘，然後把水關掉再把起泡器裝回去。

# INSTALLATION INSTRUCTIONS

## 安裝說明

### 1. Install the Shoe Elbow Stand

安裝埋地系統

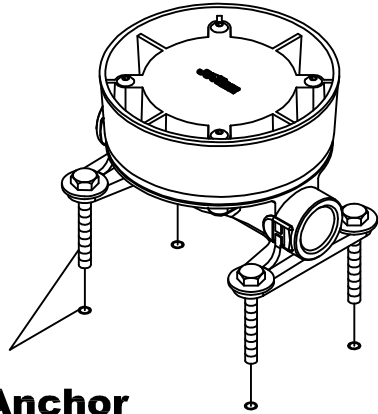
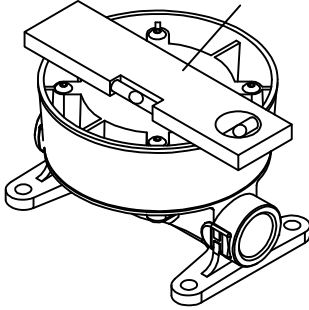


\* The available height from ground to Finished Floor is between 4.0cm and 6.6cm; the marks of plastic guard could be referenced as floor construction.

本產品適用完工後地板高度為4.0cm~6.6cm之間，鋪地板時，可參考保護蓋的刻痕。

## Spirit Level

水平尺



## C. Stainless Steel Anchor

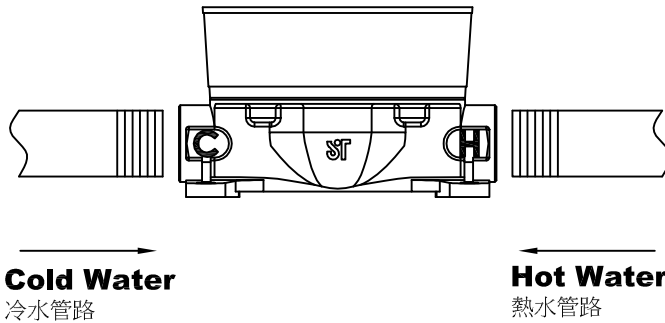
膨脹螺絲

\* Ensure the level with Spirit Level, and fix the **Shoe Elbow Stand** on the ground with provided **Stainless Steel Anchors**.

使用膨脹螺絲將固定座緊固於地面，需先確認水平無誤。

## Water supply pipe

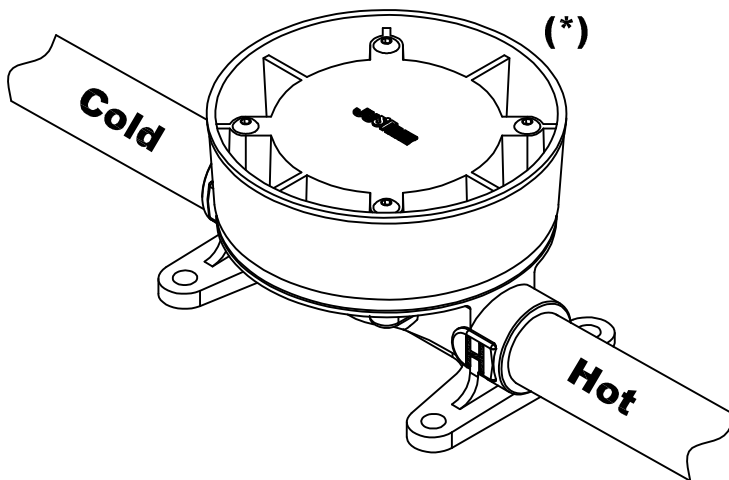
冷熱水管路



- \* Connect the hot and cold water supply as the marks on the **Shoe Elbow Stand**. After finish the installation, please make sure if the connection of hot and cold water supply are same as the marked indication on the **Shoe Elbow Stand**.

依固定座冷、熱入水口標示，接上冷熱水管路，安裝完畢後請再次確認冷熱水管方向與固定座入水口標示是否一致。





⚠ **DO NOT remove the orange plastic guard (\*) as installing the Shoe Elbow Stand.**

⚠ 固定座施工期間  
請勿將橘色塑膠保護蓋(\*)卸除。

\* Turn on the water supply valve to check if there is any problem or leaking before finish the installation of **Shoe Elbow Stand**.

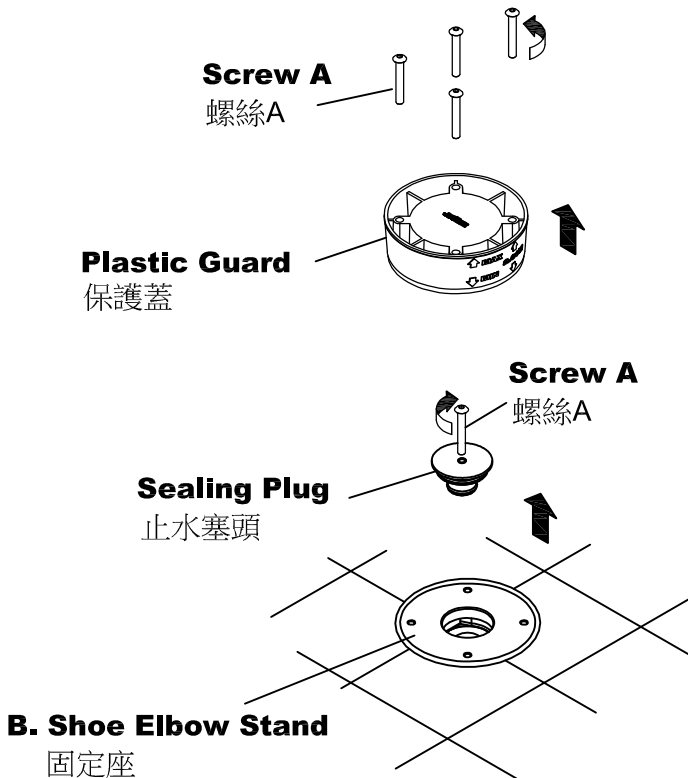
⚠ DO NOT remove the plastic guard before water testing.

接上冷、熱水管路後，接著開啟給水開關，檢查管路是否有異常或漏水情形，即完成安裝程序。

⚠ 測試水壓前請勿鬆脫橘色塑膠保護蓋(\*)。

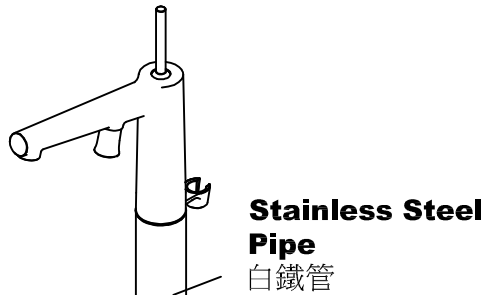
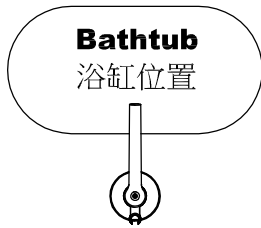
## 2. Install The Mixer Body

安裝龍頭本體



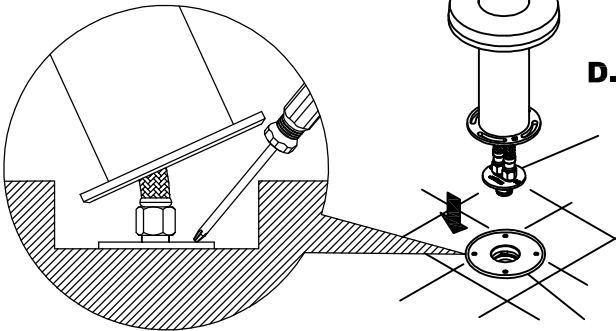
\* Disassemble the **Screw A** of **Plastic Guard**, and remove the **Plastic Guard**. Screw the **Screw A** into the **Sealing Plug** to pull out the **Sealing Plug**.

鬆退保護蓋上的螺絲A，卸下保護蓋，將螺絲A鎖入止水塞頭後拔出止水塞頭。



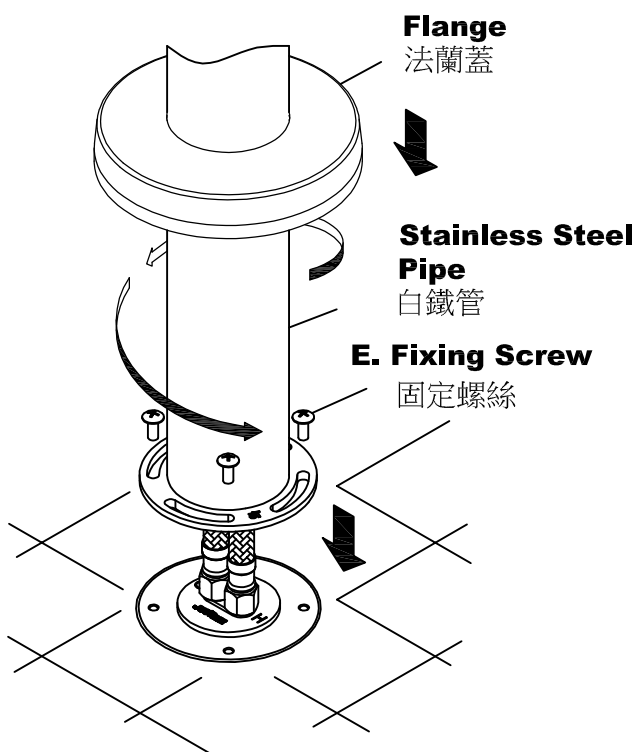
**Flange**  
法蘭蓋

**D. Diverting Connector**  
分水接頭



\* Position the **Bath Mixer** to Bathtub before installation, and press the **Diverting Connector** into the **Shoe Elbow Stand** with fingers and tools.

組裝前將龍頭對準浴缸方向，再以手指或工具將分水接頭壓入固定座。

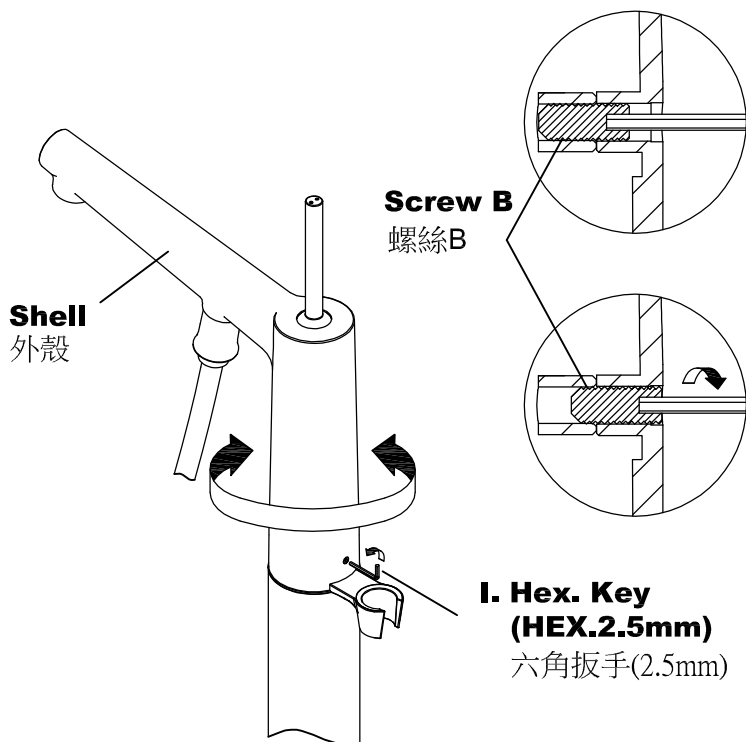


\* As installing the **Bath Mixer** on the **Shoe Elbow Stand**, rotate the Stainless Steel Pipe to make the braided hoses be spiral inside the pipe to avoid breaking the braided hoses and causing leaking. Position the **Bath Mixer** and fix the mixer on **Shoe Elbow Stand** with **Fixing Screws**, and then cover the **Flange** to finish the installation.

※Note the direction of spout as positioning the bath Mixer.

固定龍頭與固定座時，一邊旋轉白鐵管一邊向下，讓編織管在內部呈螺旋狀，避免編織管折傷漏水。定位後再以固定螺絲將龍頭與固定座鎖緊，放下保護蓋完成固定的動作。

※定位時注意龍頭出水口的方向。



\* Confirm the spout is at the proper position with bathtub. Loosen the **Screw B** at the backside of **Shell** till being flush with **Shell** to rotate the spout for 360 degrees.

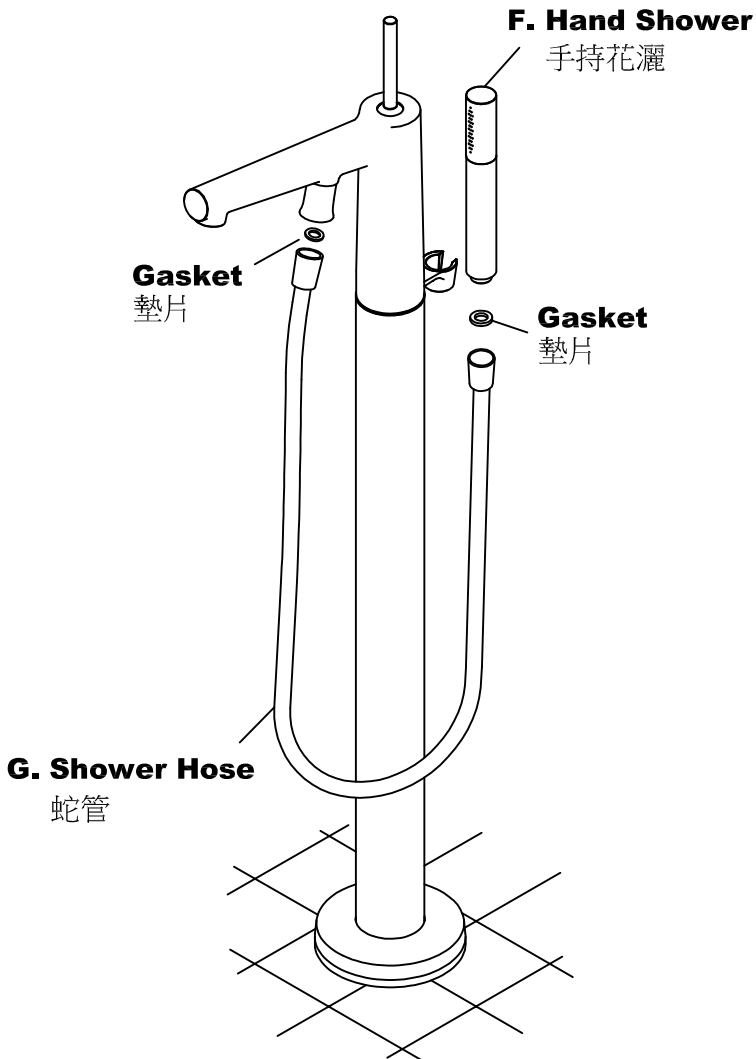
※Please help to read the instruction on Page 11 if you still need to adjust the direction of spout and position of bathtub.

確認出水口方向與浴缸方位無誤後，將本體後方螺絲 B 稍微鬆退與本體齊平，即可讓外殼360°旋轉。

※如果出水口方向與浴缸方位尚須調整，請參考P.11說明進行調整。

### 3. Install Hand Shower

安裝手持花灑

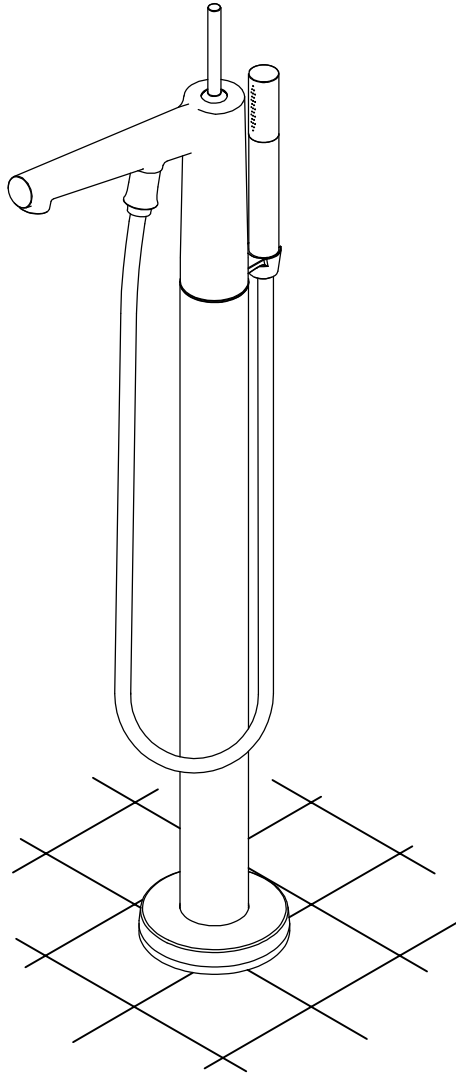


\* Connect **Hand Shower & Diverter** with **Shower Hose & Gaskets**.

使用蛇管與墊片連接手持花灑與龍頭切換器。

## 4. Finish Installation

完成圖

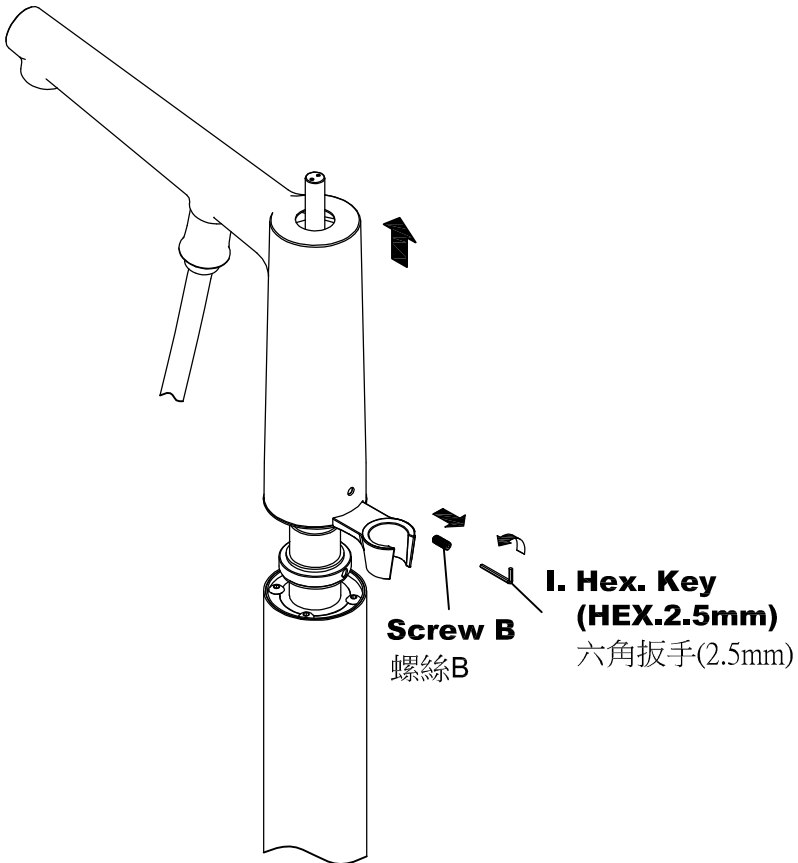


# ADJUST DIRECTION OF SPOUT & HANDLE

調整出水開關方向與浴缸方向對齊

## 1. Disassemble the Mixer

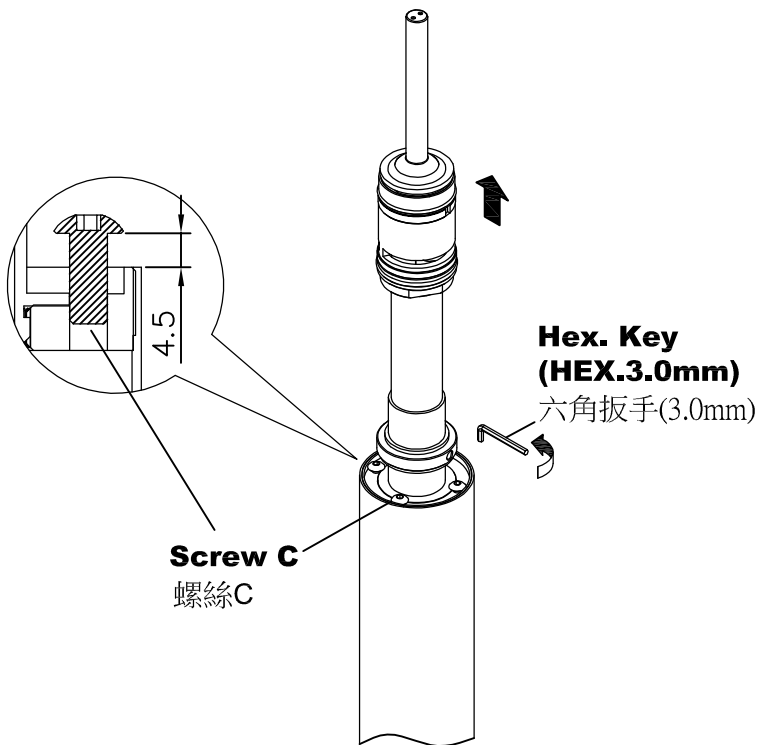
拆卸龍頭



\* Loosen the **Screw B** at the backside of **Shell** with provided **Hex. Key**, and remove the **Shell** upward.

將鬆退本體後方的螺絲B，將龍頭向上取下。



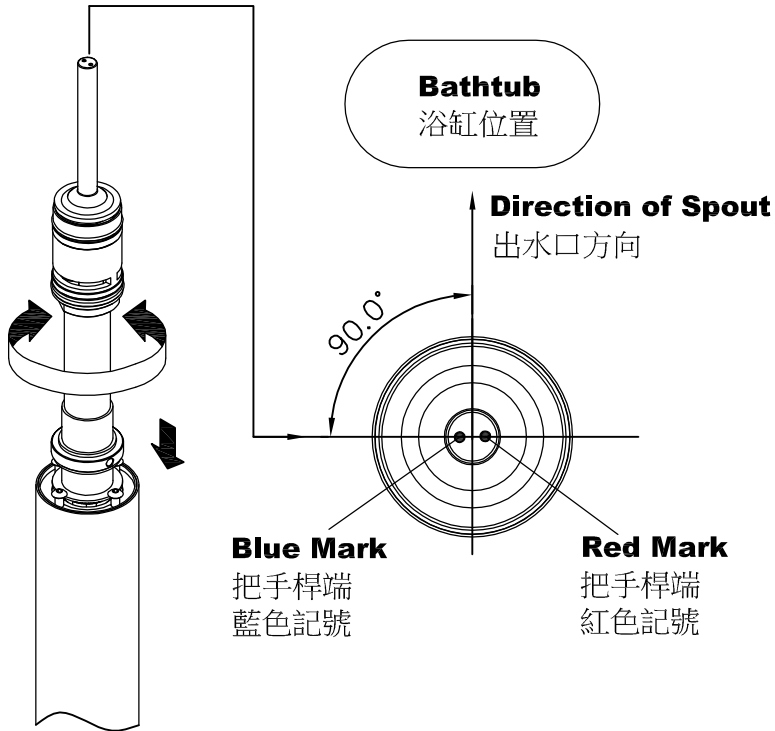


\* Loosen all the **Screw C** and pull up the cartridge spindle slightly. Please DO NOT pull up the cartridge spindle hard for avoiding breaking the braided hoses to cause leaking.

稍微鬆退四顆螺絲C後，請輕輕拉起本體組，切勿大力抽拉，避免編織管受傷漏水。

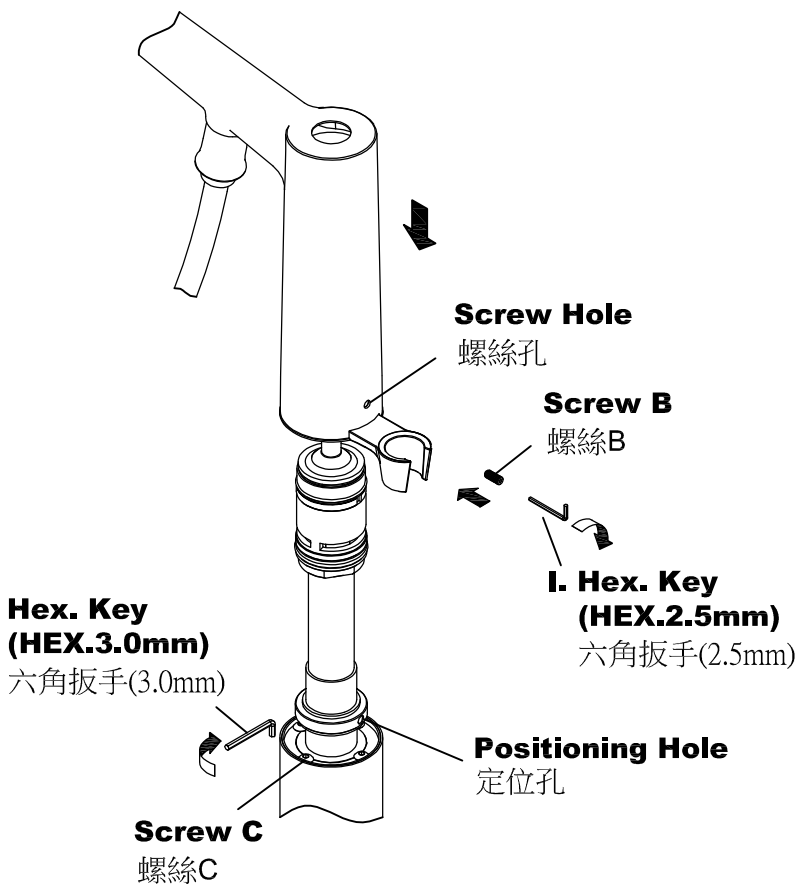
## 2. Adjust The Direction of Handle

調整開關方向



\* There are 60 positions for adjustment in 360 degrees. Use the **Blue and Red Marks** on Handle as reference while positioning, and then assemble the cartridge spindle on the stainless steel pipe.

本體組可做60個方位的調整，定位時可參考把手上方紅藍記號，定位後再將本體組組裝回白鐵管上。



\* Tighten the **Screw C** to fix the cartridge spindle on the stainless steel pipe. Align the **Screw Hole** of **Shell** with the **Positioning Hole**, cover the shell, and then fix with the **Screw B**.

將螺絲C鎖緊固定本體組後，確定龍頭本體螺絲孔跟定位孔對齊後，再套上龍頭本體，並以螺絲B從後方固定。

# WARRANTY

Sheng Tai Co., Ltd. offer a three-year warranty on all of the Faucets & Bathroom Accessories from date of purchasing. The warranty covers any defect in material and workmanship during normal residential use. The following conditions of defect are charged for maintaining.

- Damage caused by accident, misuse, improper care and cleaning.
- Improper using or installation.
- Defects because of the external factors, such as erodent environment (ex. Seashore or mineral spring.), animal bites or dead body remains in product etc.
- Defect because of sand or impurity stuck in faucet water way.
- Using water not adhered to the regulations of national standard.
- Deficiency caused by freeze.
- Not showing this warranty card.
- Not filling in the blank of name of customer, date of purchase, cost of purchase, company of installation (retail store) and stamp on warranty card.
- Sheng Tai Co., Ltd. is not responsible for labor charges, installation, or other incidental or consequential costs.

勝泰衛材股份有限公司提供所有的水龍頭及浴室配件，從購買之日起三年保固。保固範圍包括在一般住宅正常使用的期間，發現產品有任何材質和加工上的瑕疵。如瑕疵有下列情形，將收取維修費用。

- 因意外事故、不當操作使用，不當的保養維護和清洗所造成的損害。
- 不當使用或安裝。
- 外在因素造成產品的瑕疵，如易造成侵蝕的環境（如濱海或溫泉地區）、動物嚙咬或屍體存在於產品內造成的損壞。
- 因砂子或雜質卡住水龍頭水路造成的損壞。
- 沒有依循國家標準的規定使用水源造成的損壞。
- 因冰凍造成的水量不足。
- 未出示此保固卡。
- 未在空白處填寫客戶名稱，購買日期，購買成本，安裝公司（零售商店），及保證卡上未蓋章。
- 勝泰衛材股份有限公司不負責工人費用，安裝，或其他附帶或間接產生的費用。

Customer	Name		Tel	
	Address			
Product	Serial No.		Name	
	Warranty	Three year from date of purchase.		
Purchase place	Store		Tel	
	Address			
Purchase Date				
Purchase Price				

**JUSTIME**  
www.justime.com

**SHENG TAI BRASSWARE CO., LTD.**

No.99 Sec.3 Chang Tsao Rd. Ho Me, Chang Hua, Taiwan

508 台灣彰化縣和美鎮彰草路3段99號

TEL: +886-4-7629971~4

FAX: +886-4-7526980

E-mail: shengtai@ms10.hinet.net

Facebook: www.facebook.com/JUSTIME