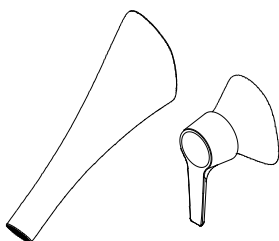


INSTALLATION INSTRUCTIONS

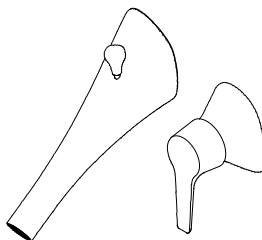
Wall-Mounted Basin Mixer & Wall-Mounted Bath Mixer
壁式檯面龍頭及壁式浴缸龍頭安裝說明

Applicable Product Number:

適用產品型號:



6927-X2-80CP



6927-X4-80CP

CARE & CLEANING

清潔與保養

CAUTION : This product might be damaged by improper installation, acid cleaning solution, misuse, improper care and cleaning.

1. Always follow the INSTALLATION INSTRUCTIONS provided and use extreme care while installing.
2. Do not use acid cleaning solution or abrasive cleaner (Ex: Hydrochloric acid or toothpaste); test your cleaning solution on an inconspicuous area before applying to the entire surface.
3. Wipe surfaces clean and rinse completely with water immediately after applying cleaner. Do not soak with cleaners. Rinse and dry any overspray that lands on nearby surfaces.
4. Use a dampened sponge or cloth to clean surface. (Do not use abrasive material such as brush or scouring pad.)

注意：此產品有可能因為不當安裝，誤用酸性清潔劑或清潔方式不正確而造成產品受損。

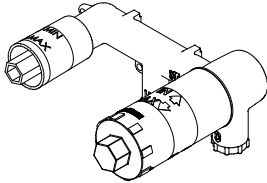
1. 產品安裝時必須依照產品所附的安裝說明和操作方式安裝。
2. 不可使用含有酸性或具研磨效果的清潔劑清洗（例如：鹽酸、牙膏），請先在產品較不顯眼的地方測試您的清潔方法，然後再應用到整個表面。
3. 產品塗佈清潔劑後，應立即擦拭除污，用清水沖洗，並擦乾產品和檯面。切勿讓清潔劑在產品表面浸濕潤漬過久。
4. 請使用濕海綿或乾淨棉布擦拭產品表面。（不可使用會刮傷或具研磨材質的刷子及鋼刷）。

FIXING CONTENTS

組配件內容

A. Valve Body X 1 (with sleeves)

牆壁內本體(含保護蓋)



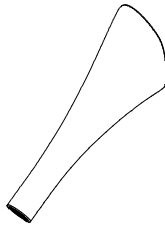
B. Nipple X 1

牙管

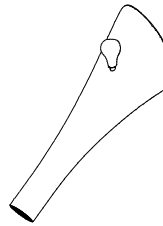


C. Spout X 1

出水口



OR



D. Base of Flange X 1 (with Gasket)

法蘭蓋基座(含墊片)



E. Flange X 1

法蘭蓋



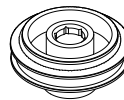
F. Handle X 1

把手蓋



G. Base of Spout X 1 (with Gasket & Oring)

出水口底座(含O-ring、墊片)

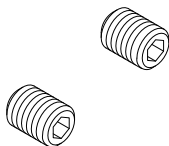


FIXING CONTENTS

組配件內容

H. Set Screw X 2

固定螺絲M6



J. Set Screw X 1

固定螺絲M5



L. Key for Aerator X 1

起泡頭組裝器



I. Hex. Key (3.0mm) X 1

六角扳手(3.0mm)



K. Hex. Key (2.5mm) X 1

六角扳手(2.5mm)



INSTALLATION NOTE

安裝注意事項

⚠ CAUTION : Please read the following point carefully before Installation.

1. Keep the **Valve Body** faces horizontal and parallel to the wall that will be finished.
2. Connect hot and cold supplies pipes to the **Valve Body**, and keep the distance from center of **Valve Body** to **Finished Wall** between 2"(5.1cm) minimum and 3"(7.6cm) maximum.

⚠ CAUTION : Prevent the risk of product damage.

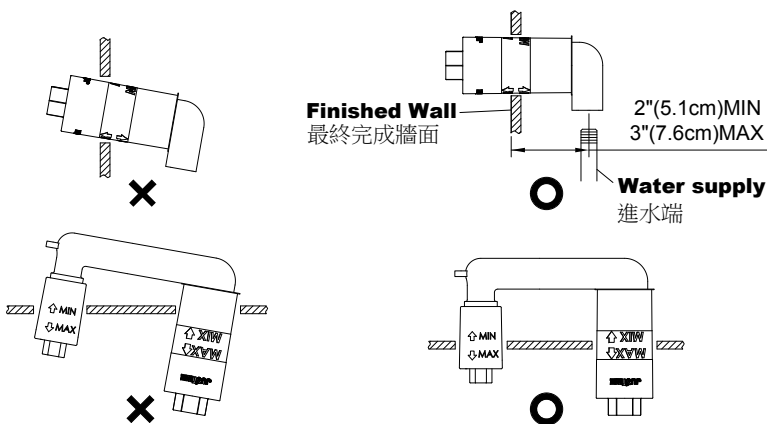
1. After installation has been completed, turn on the valve and run water for 1 minute to remove any debris before using.

⚠ 注意：安裝前，請詳閱下列注意事項。

1. 本產品安裝固定閥體於牆壁內側時，閥體需與牆壁保持平行。
2. 進水管中心與最終完成牆面的距離須保持在最小2"(5.1cm)到最大3"(7.6cm)之間。

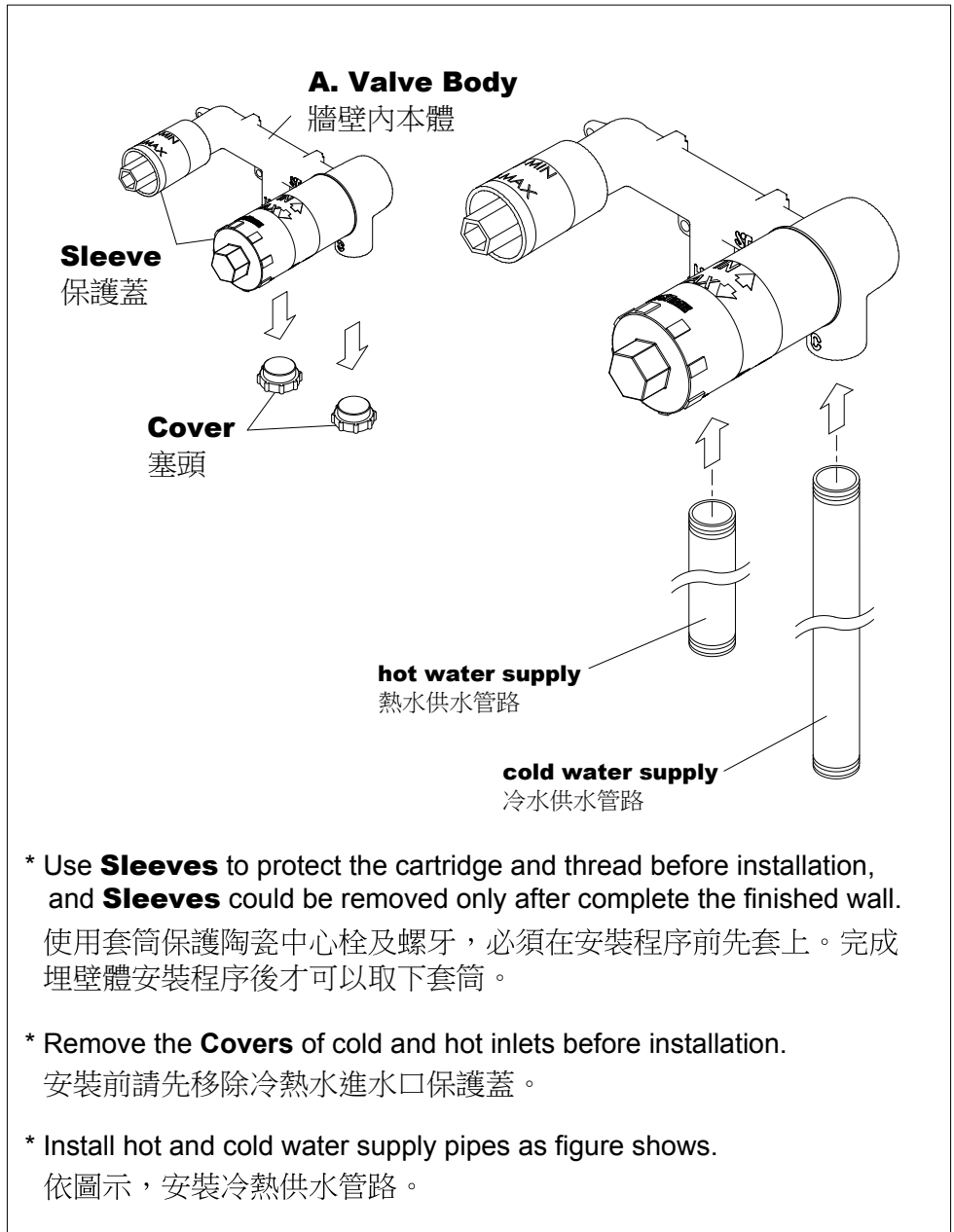
⚠ 注意：為增加產品使用壽命，請依說明清潔供水管路。

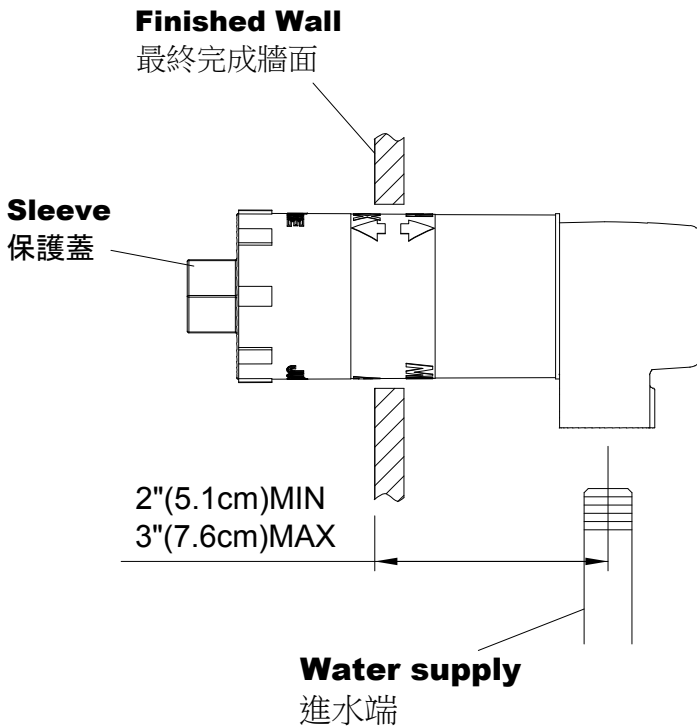
1. 完成安裝後，需在使用前先把供水開關全開排水持續一分鐘，去除雜質，以保持管路清潔。



INSTALLATION INSTRUCTIONS

安裝說明



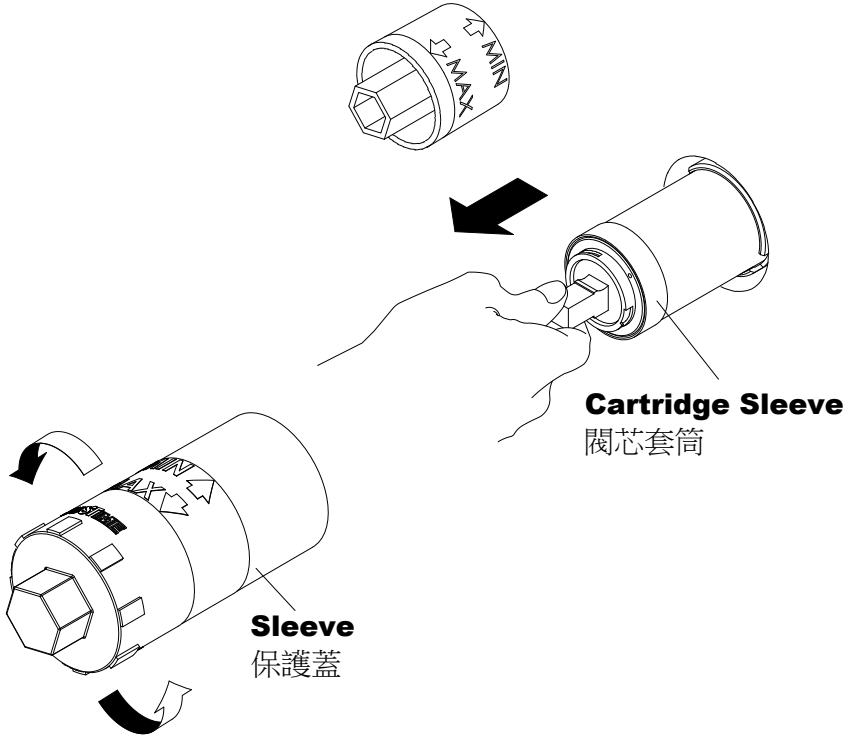


* Connect hot and cold supplies pipes to the valve body, so they are between 2"(5.1cm) minmum and 3"(7.6cm) maximum from the finished wall; or keep the distance be 1.13" (2.9cm) to 2.13" (5.4cm) between top of cartridge and **Finished Wall** for necessary conditions.

安裝牆壁內本體時需預留的牆壁厚度，牆壁內本體與最終完成牆面的距離須保持在最小2"(5.1cm)到最大3"(7.6cm)之間，或陶瓷中心栓與最終完成牆面保持在最小1.13"(2.9cm)到最大2.13"(5.4cm)，此為安裝必要條件。

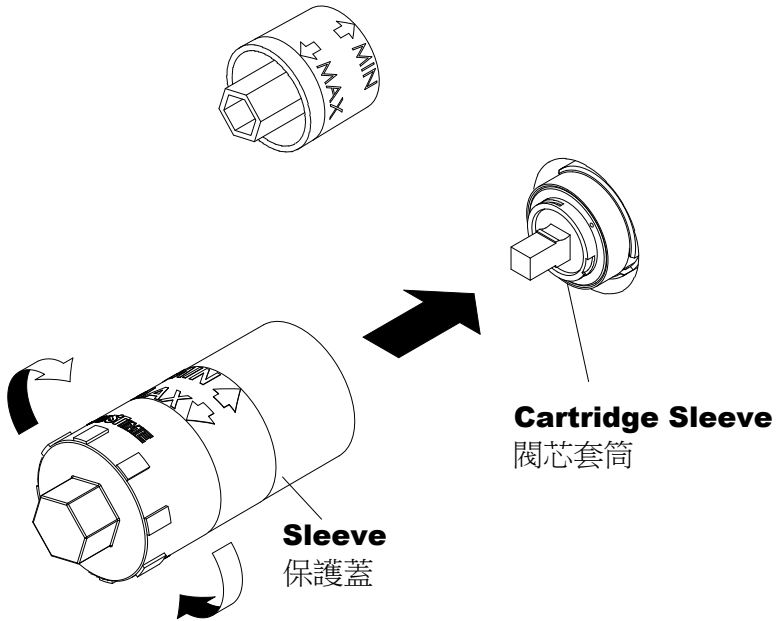
※If it is necessary to have a leakage test, please process below steps after complete installation of Valve Body; if there is no leakage test, please pass the steps.

※埋壁閥體安裝完成後，若要進行管路洩漏測試，請先執行下列步驟，若否則略過。



* Before leakage test, pull out **Cartridge Sleeve** to the limit for preventing shock and hurt by suddently ejected **Cartridge Sleeve** as testing.

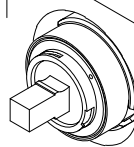
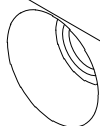
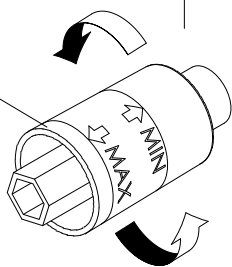
測試前，用手或工具拉出閥芯套筒至牆壁最外側，直至套筒無法再伸長為止。避免瞬間水壓導致閥芯套筒彈出而受到驚嚇和受傷。



* After test, push back **Cartridge Sleeve** to the bottom of **Valve Body** and restore **Sleeve** back to continue the next steps.

測試完畢後，將閥芯套筒壓回閥體內，並再次鎖上保護蓋，繼續後續牆面佈置。

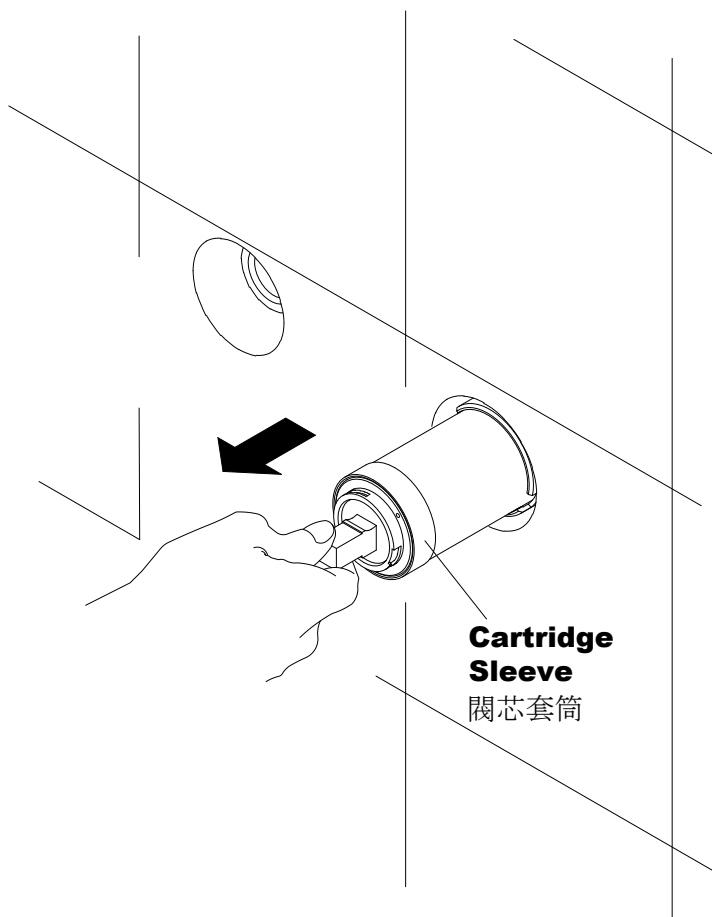
Sleeve
保護蓋



Sleeve
保護蓋

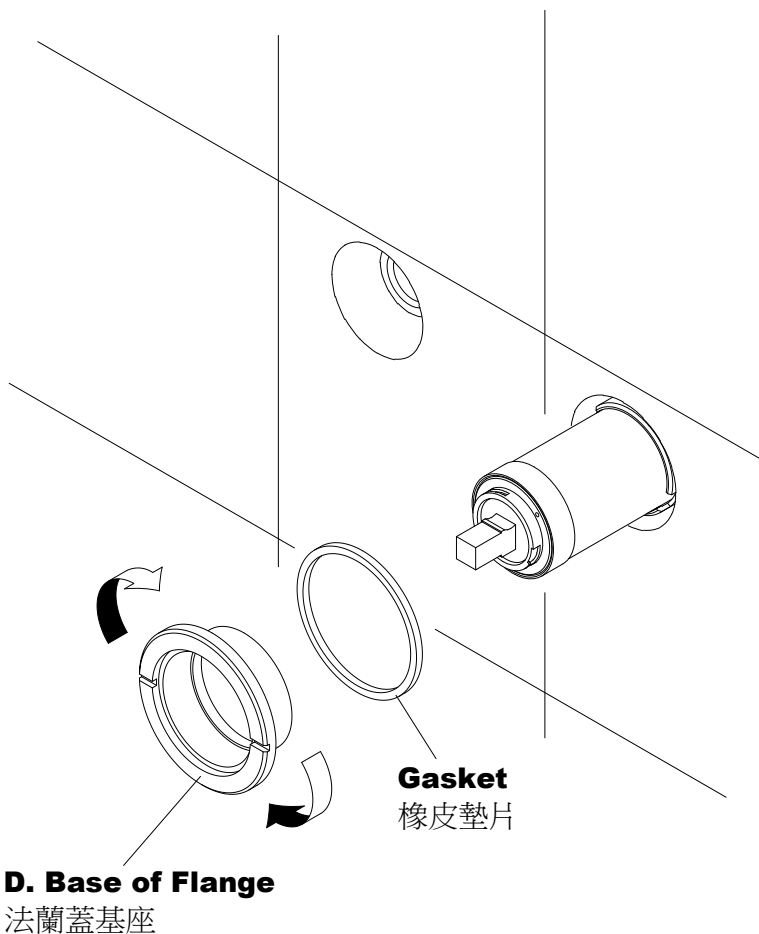
* Remove **Sleeves** after complete Finished Wall, and then go for next steps.

最終牆面完成後，再將保護蓋卸除，進行後續組裝。



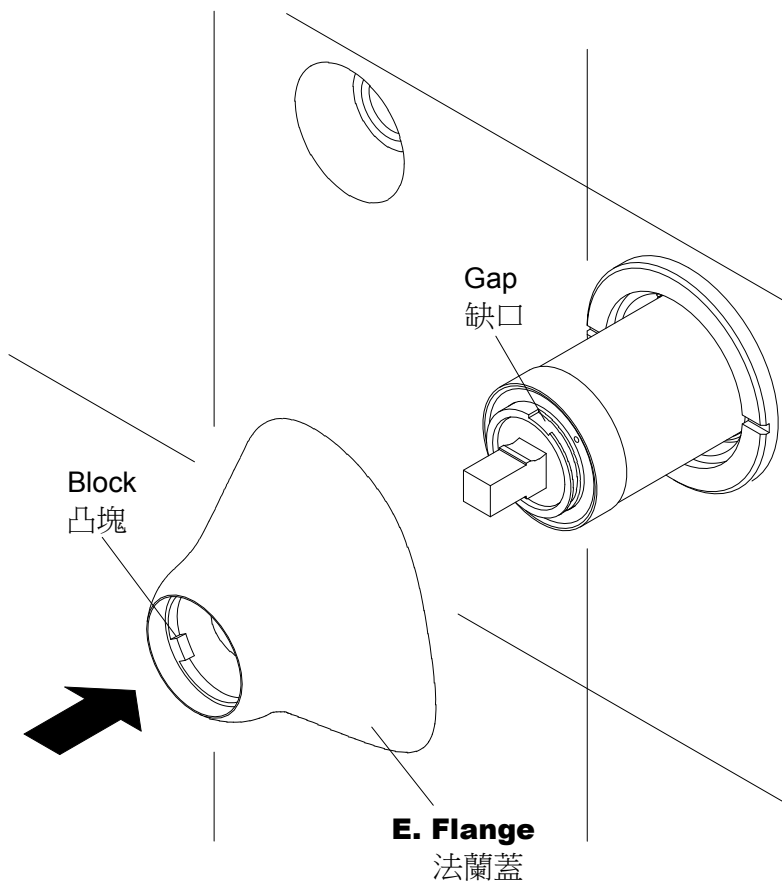
* Pull out **Cartridge Sleeve** to the limit.

用手或工具將閥芯套筒拉出至牆壁最外側，直至套筒無法再伸長為止。



* Screw the **Base of Handle** with **Gasket** clockwise to the **Valve Body** till against the **Finished Wall**. Please notice the **Gasket** has to be placed between base and wall.

將把手底座依順時針方向旋轉鎖入牆內閥體直到貼緊牆壁，注意墊片不可掉落。



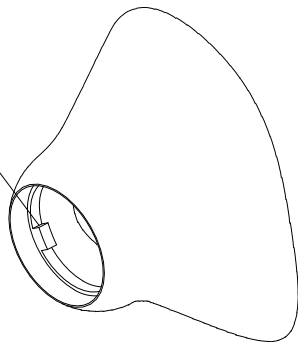
* Aim block at gap and cover **Flange** to **Cartridge Sleeve**.

將法蘭蓋套於閥芯套筒上，法蘭蓋內的凸塊須對準閥芯套筒的塑膠件缺口。

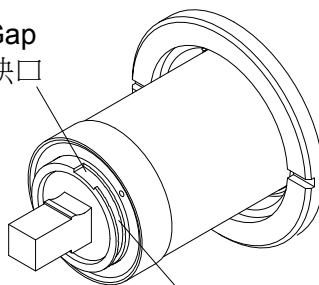
Whirl Block into Groove.

凸塊旋入溝槽。

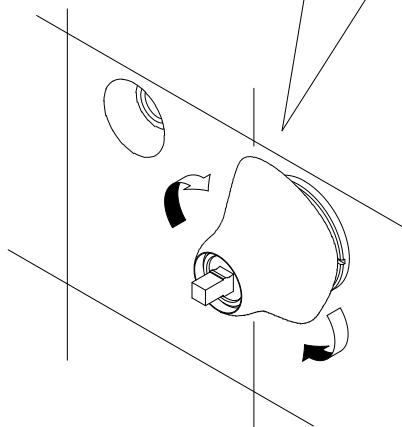
Block
凸塊



Gap
缺口

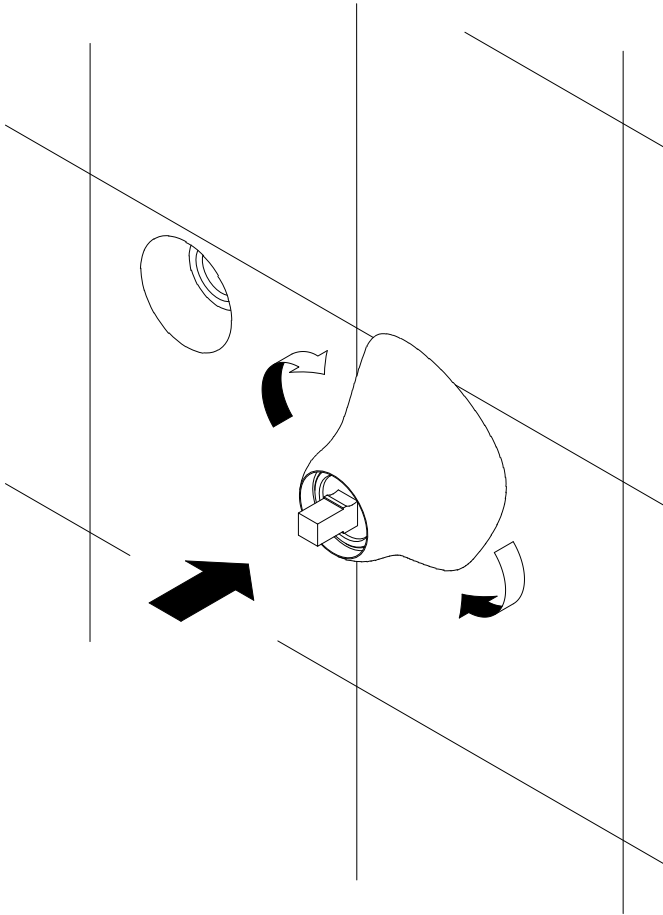


Groove
溝槽



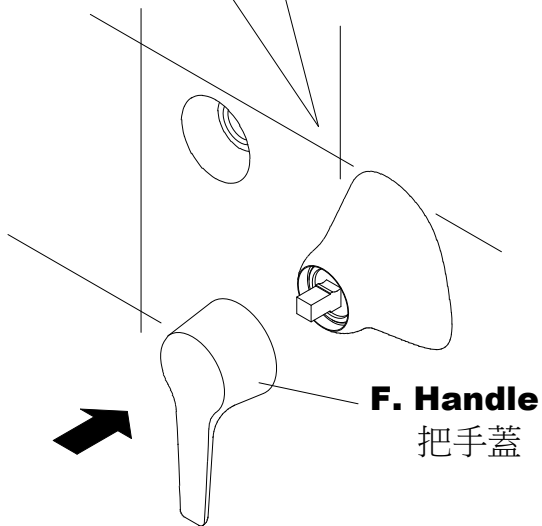
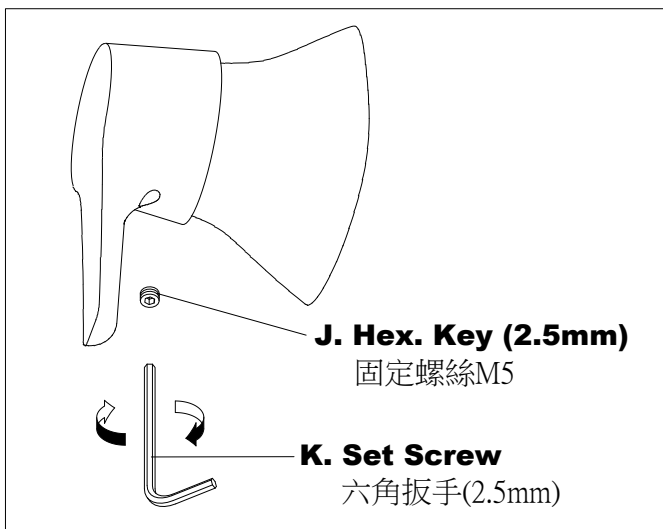
* Whirl block into groove and block will bring the plastic part to swivel as it against end of groove.

依順時針方向旋轉法蘭蓋。使凸塊沿著塑膠件缺口旋入溝槽，並旋轉至溝槽底，直到帶動塑膠件旋轉為止。



* Push **Flange** to the bottom, and then screw **Flange** to **Base** clockwise.

將法蘭蓋向牆面推至底，再依順時針方向鎖進法蘭蓋基座。

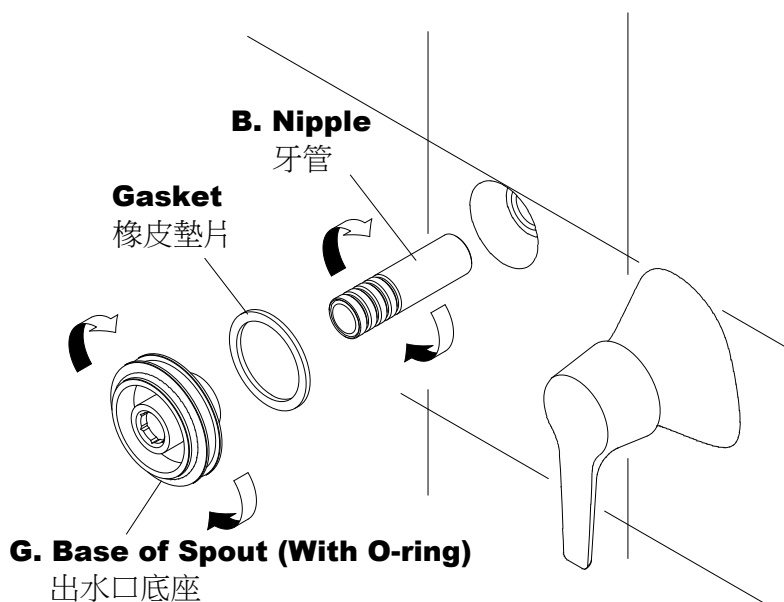
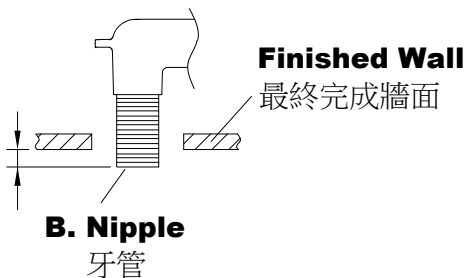


* Cover the **Handle** to top of **Cartridge**, and then tighten the **Set Screw** clockwise with provided **Hex Key**.

將把手套入閥芯，再使用六角扳手鎖入固定螺絲。

Suggested distance from top of Nipple to Finished Wall is 0~5mm

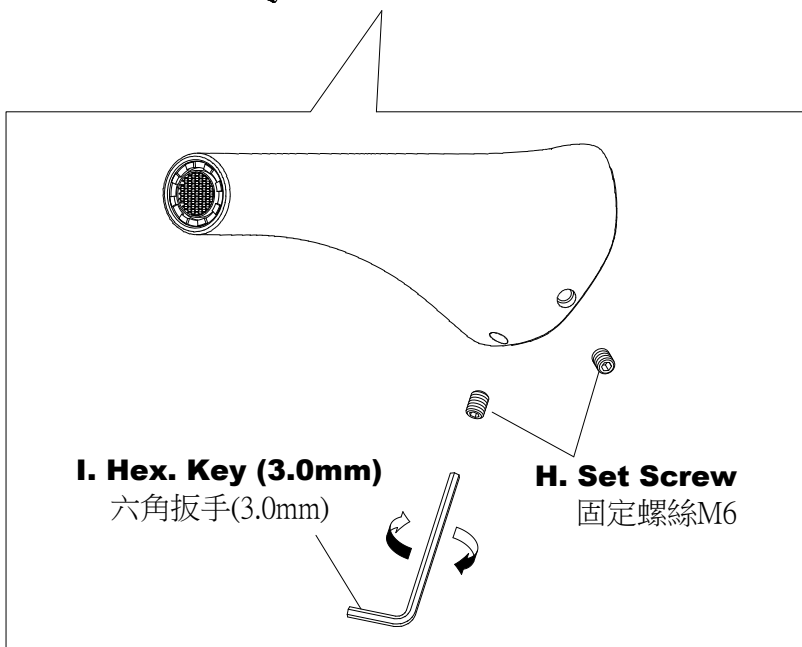
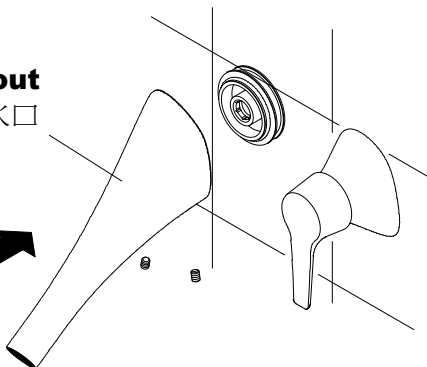
牙管長度建議與最終完成牆面持平或多於5mm之內



* Apply the pipe compound or thread sealant tape and then screw it to the **Valve Body**. Suggested distance from top of **Nipple** to **Finished Wall** is 0~5mm, and **Nipple** could be cut if necessary. Screw the **Base of Spout (With O-ring)** with **Gasket** clockwise to the **Nipple** till against the **Finished Wall**. Please notice the **Gasket** has to be placed between base and wall.

將牙管依順時針方向鎖入牆內閥體，組裝後的長度建議與最終完成牆面持平或多於5mm之內，可因應現場情況進行裁切。再將出水口底座依順時針方向旋轉鎖入牙管直到貼緊牆壁，注意墊片需置於底座與牆面之間。

C. Spout
出水口



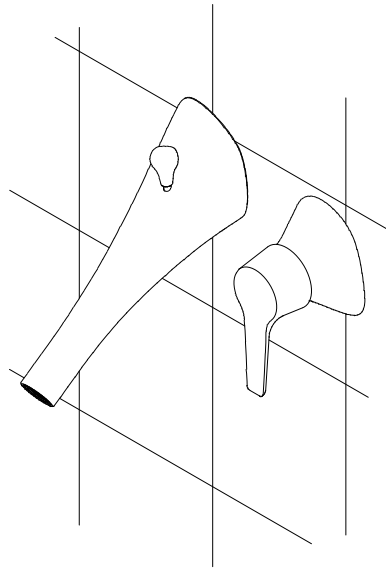
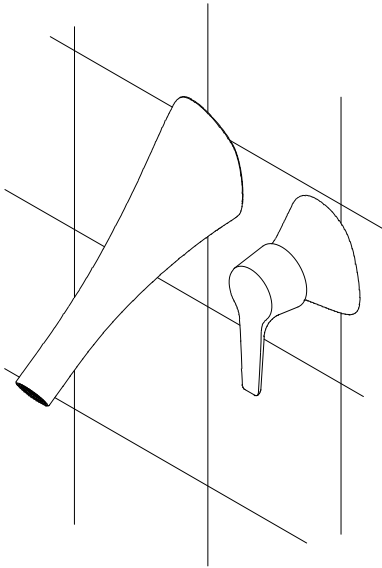
I. Hex. Key (3.0mm)
六角扳手(3.0mm)

H. Set Screw
固定螺絲M6

* Position **Spout** onto **Base of Spout**, and then fix with provided **Set Screws** and **Hex Key**.

將出水口接上出水口底座，並調整好位置，再利用六角扳手鎖上固定螺絲。

* Example
實施例



WARRANTY

Sheng Tai Brassware Co., Ltd. offer a three-year warranty on all of the Faucets & Bathroom Accessories from date of purchasing. The warranty covers any defect in material and workmanship during normal residential use. The following conditions of defect are charged for maintaining.

- Damage caused by accident, misuse, improper care and cleaning.
- Improper using or installation.
- Defects because of the external factors, such as erodent environment (ex. Seashore or mineral spring.), animal bites or dead body remains in product etc.
- Defect because of sand or impurity stuck in faucet water way.
- Using water not adhered to the regulations of national standard.
- Deficiency caused by freeze.
- Not showing this warranty card.
- Not filling out in the blank of name of customer, date of purchase, cost of purchase, company of installation (retail store) and stamp on warranty card.
- Sheng Tai Co., Ltd. is not responsible for labor charges, installation, or other incidental or consequential costs.

勝泰衛材股份有限公司提供所有的水龍頭及浴室配件，從購買之日起三年保固。保固範圍包括在一般住宅正常使用的期間，發現產品有任何材質和加工上的瑕疵。如瑕疵有下列情形，將收取維修費用。

- 因意外事故、不當操作使用，不當的保養維護和清洗所造成的損害。
- 不當使用或安裝。
- 外在因素造成產品的瑕疵，如易造成侵蝕的環境（如濱海或溫泉地區）、動物嚙咬或屍體存在於產品內造成的損壞。
- 因砂子或雜質卡住水龍頭水路造成的損壞。
- 沒有依循國家標準的規定使用水源造成的損壞。
- 因冰凍造成的水量不足。
- 未出示此保固卡。
- 未在空白處填寫客戶名稱，購買日期，購買成本，安裝公司（零售商店），及保證卡上未蓋章。
- 勝泰衛材股份有限公司不負責工人費用，安裝，或其他附帶或間接產生的費用。

Customer	Name		Tel	
	Address			
Product	Serial No.		Name	
	Warranty	Three year from date of purchase.		
Purchase place	Store		Tel	
	Address			
Purchase Date				
Purchase Price				

JUSTIME
www.justime.com

SHENG TAI BRASSWARE CO., LTD.

No.99 Sec.3 Chang Tsao Rd. Ho Me, Chang Hua, Taiwan

508 台灣彰化縣和美鎮彰草路3段99號

TEL: +886-4-7629971~4

FAX: +886-4-7526980

E-mail: shengtai@ms10.hinet.net

Facebook: www.facebook.com/JUSTIME