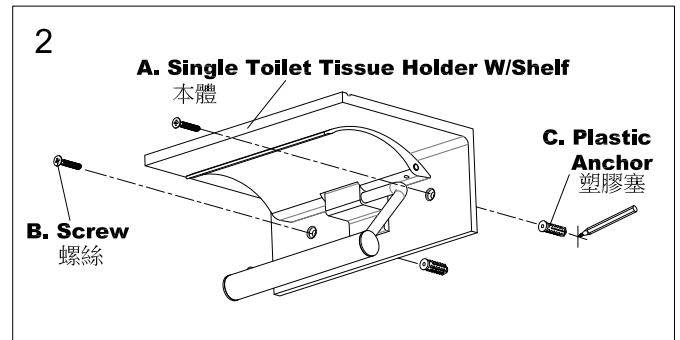
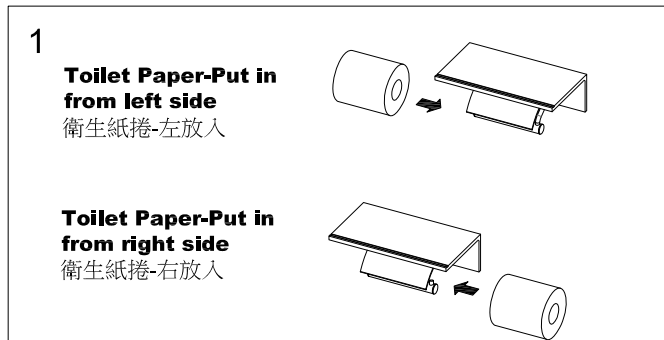


# INSTALLATION INSTRUCTIONS

## Toilet Tissue Holder W/Shelf

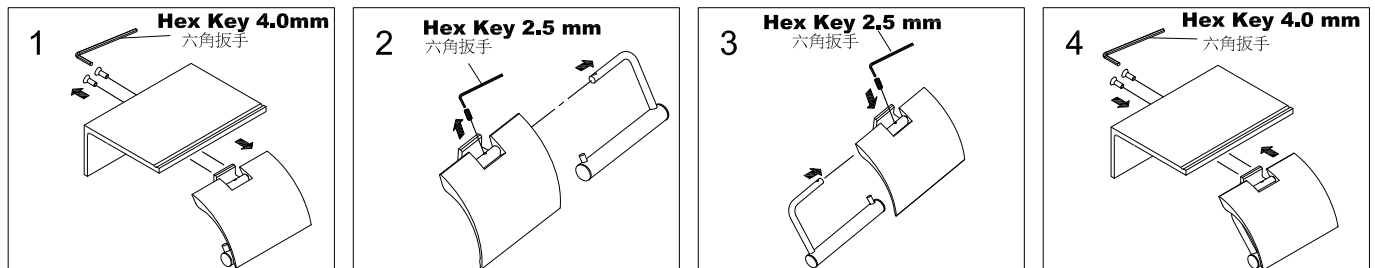
### 衛生紙架組安裝說明



1. Confirm the direction toilet paper will be put in, and please change the direction of holder as instruction shows if necessary.  
請先確認衛生紙捲要放入的方向. 如果需要改變方向,請依方向更換說明自行更換.
2. Select proper position for product and mark centers of mounting holes on wall by using a spirit level and refer to the actual product for distance between hole centers.  
請先將衛生紙架選取預定安裝的位置, 並用衛生紙架孔在牆壁上畫上預定鑽孔記號。  
Using a 6mm(1/4") drill-bit to drill the holes in marked positions to a depth of 4cm. Insert the **Plastic Anchors** to the holes on wall, and then fix the **Toilet Tissue Holder W/Shelf** with **Screws**.  
使用6mm(1/4英吋)鑽頭, 鑽孔深度4公分, 嵌入塑膠塞並使之齊平於牆面, 將衛生紙架組以螺絲鎖緊在牆上。

## Change Direction of Holder

### 方向更換說明



1. Disassemble the Screws with Hex Key 4.0mm, and then remove the Bracket Kits.  
用六角扳手4.0mm將背板後的螺絲拆下, 取出支架蓋組.
2. Disassemble the Screw with Hex Key 2.5mm, and then remove the Holder.  
用六角扳手2.5mm將支架的螺絲拆下, 取出支架組.
3. Replace the Holder into the Bracket from another side, and then fix with screw by Hex Key 2.5mm.  
支架組換邊置入支架座, 用六角扳手2.5mm將螺絲鎖入支架.
4. Fix the Bracket Kits with Screws by Hex Key 4.0mm.  
支架蓋組放入本體, 用六角扳手4.0mm將螺絲鎖入本體與支架蓋組鎖緊.

## FIXING CONTENTS

### 組配件內容

