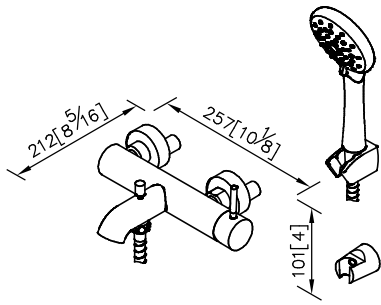


Bath/Shower Faucet
7765-94-82P1



- 1.Brass of casting body meets ISO CuZn40Pb standard.
- 2.Handle material meets JIS 3771 Standard.
- 3.Ceramic valve with CERAMTEC ceramic disc/(Germany).
- 4.Finish meets the standard of ASTM-SC2.
- 5.The available distance between two centers of wall water-outlet is 122mm to 178mm.
- 6.Elastic shower hose can be extended from 1.5 meter to 2 meter and stand 15Kg/cm2 water pressure.
- 7.There is an extra fixed Wall Bracket for using conveniently.
- 8.Coordinates with other products in Pan I collection.

unit: mm[inch]

