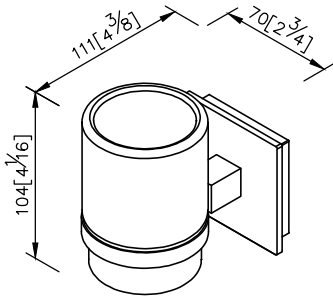


Tumbler Holder
7801-30-80CP



1. Brass of casting body meets JIS 3604 standard.
2. Premium metal construction for durability.
3. Justime finishes resist corrosion and tarnish.
4. Finish meets the standard of ASTM-SC2.
5. Correctly installed product's loading is 2 kgf.
6. Frosted glass tumbler.
7. Coordinates with other products in Happiness collection.

unit: mm[inch]

