

## Toilet Tissue Holder W/Lid 7801-41-80CP

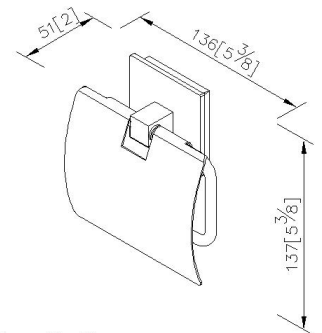
### INTRODUCTION:

The square base has been designed with Frosted glass faceplate to increase the hazy and unreal beauty sense.



### DESCRIPTION:

- 1.Brass of casting body meets JIS 3604 standard.
- 2.Premium metal construction for durability.
- 3.Justime finishes resist corrosion and tarnish.
- 4.Finish meets the standard of ASTM-SC2.
- 5.Correctly installed product's loading is 5 kgf.
- 6.Coordinates with other products in Happiness collection.



unit: mm[inch]

### Certification:

### Fixing Kits:

- 1.SUS 304 Stainless Steel Screws\*2
- Plastic Anchors\*2  
Material of Wall Mount Bracket: Steel with zinc plating\*1

### AWARD: