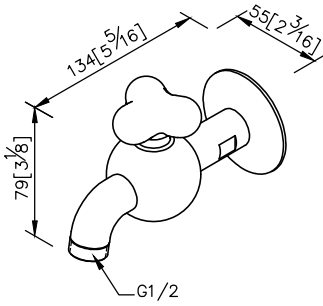


Hose Bib Tap
7903-L6-80CP



unit: mm[inch]

- 1.Manufactured by CNC processing equipment to improve the roundness of ball shape and fineness overall the surface of faucet body.
- 2.Simple and adorable shape is without extra joints.
- 3.Hose Bib can be used in washing machine to make the environment more beautiful.
- 4.Ceramic cartridge with brass shell & Japan (MARUWA) ceramic disc.
- 5.Porcelain handle made by high pressure molding is against UV and color fading.
- 6.With 1/2" to water supply wall outlet.
- 7.Thread of hose connector: 1/2".
- 8.Brass with Chrome plated finish meets ASTM-SC2 standard.
- 9.Casting body material meets ISO CuZn40Pb Standard.

