

INSTALLATION INSTRUCTIONS

PATENT NUMBER:

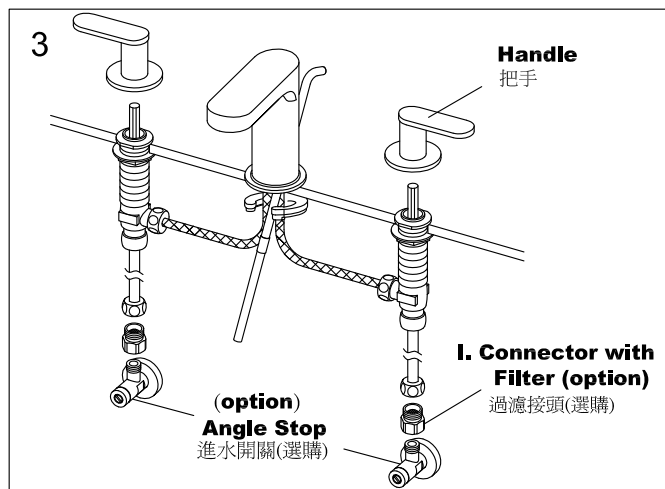
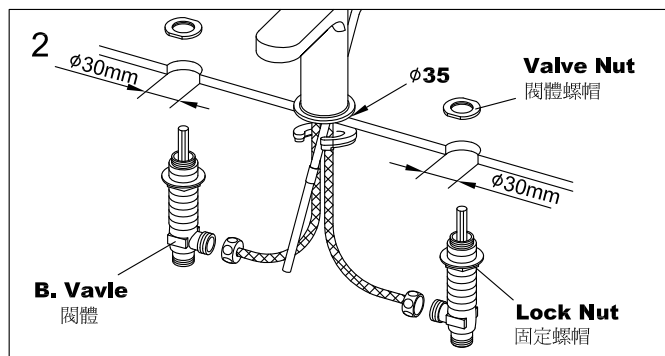
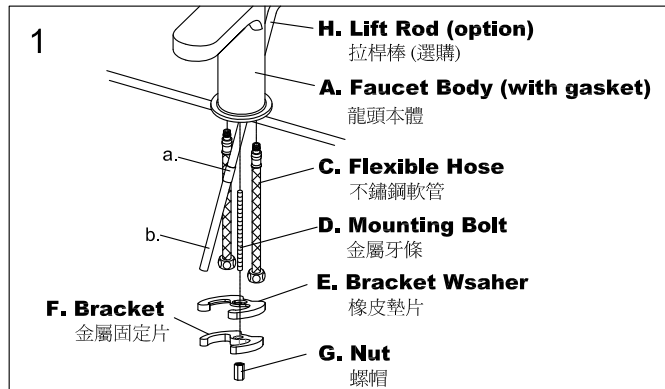
專利號碼:

001116552-0002

D 131975

TWO-HANDLES LAVATORY FAUCET

檯面龍頭安裝說明



CAUTION : Risk Of Product Damage.

注意：為增加產品使用壽命，請依說明清潔供水管路。

a./ Turn the angle stops (water suppliers) on and run for 1 minute before connect supply hose (flexible hose) to faucet body. or b./

安裝編織管之前，先把供水開關全開排水一分鐘。或 b./

b./ Connect and tighten the faucet and angle stops with supply hose (flexible hose) to finish installation, then remove the aerator, fully turn on the hot and cold water valves on faucet and run for 1 minute, then turn off the water and reinstall the aerator.

把龍頭、供水開關及編織管接好並鎖緊之後，拆下起泡器，把熱水及冷水全部轉開一分鐘，然後把水關掉再把起泡器裝回去。

1. Screw **Flexible Hoses** and **Mounting Bolt** into **Faucet Body (with gasket)**, pierce **Flexible Hoses** and **Mounting Bolt** through basin hole for fixture, and meanwhile assemble **Lift Rod** (option) to **Faucet Body**.

將冷熱進水不鏽鋼軟管和金屬牙條鎖緊固定於龍頭本體，再將冷熱進水不鏽鋼軟管和金屬牙條穿過洗臉盆(檯)洞口準備安裝，同時把拉桿棒(選擇性零件)組裝在龍頭本體上。

2. Remove **Valve-Nuts** from **Valves** before installing, pierce **Valves** from underside through the holes of Deck and fasten **Valve-Nuts**, align **Valves** to make the outlet of tee end face to **Spout**, and secure **Valves** by tightening **Lock-Nuts**.

從閥體上拆下閥體螺帽，把閥體從檯面下方穿過孔並且鎖上閥體螺帽，然後將閥體的出水口端面向出水口並用固定螺帽鎖緊閥體。

3. Ensure that **Handles** are properly aligned and **Valves** are at closed position, and then tighten the foundation of **Handle**. Install **Connector with filter** (option) onto the outlet of **Angle Stop** first, and then connect **Flexible Hoses** from **Valves** to **Spout** and **Connector with filter**.

確定閥體開關都是關閉的並且把手皆對齊，再將把手的基座鎖緊，先連接過濾接頭(選擇性零件)到進水開關，然後從閥體連接不鏽鋼軟管到出水口及過濾接頭。

FIXING CONTENTS

組配件內容

